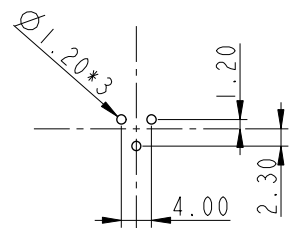


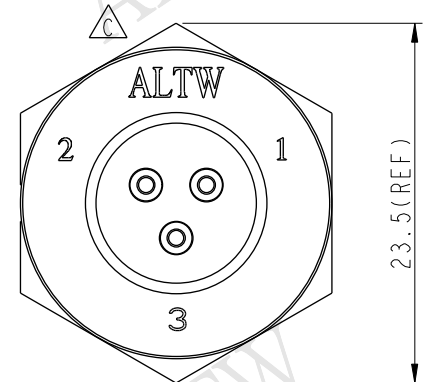
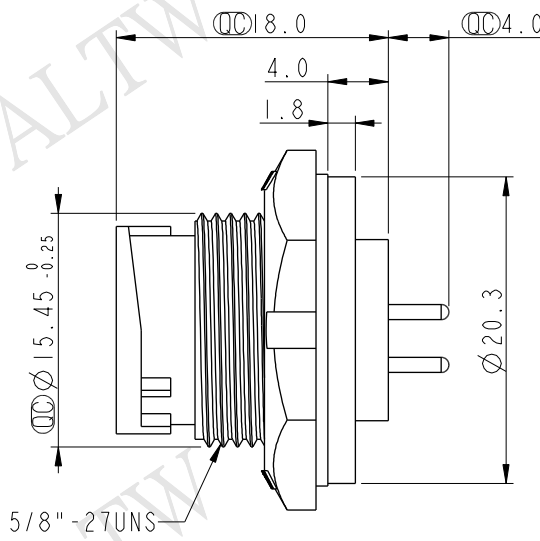
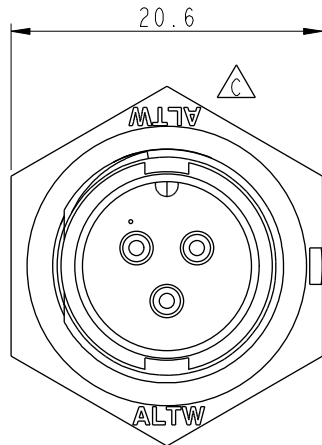
REV.	ECN NO.	DATE	SIGN	DESCRIPTION
B	LEN-8B0369	2008/09/17	Shin	Add Note
C	LEN1530201	2014/12/19	Ruru	Change Logo

ALTW  
CONFIDENTIAL  
2014-12-19  
R&D DEPT.

ALTW  
DCC. DEPT.  
CONFIDENTIAL  
2015.03.17  
ISSUED



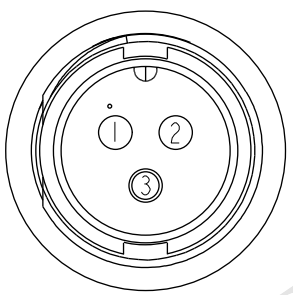
3Pin Male Connector  
Male Pin PCB Layout



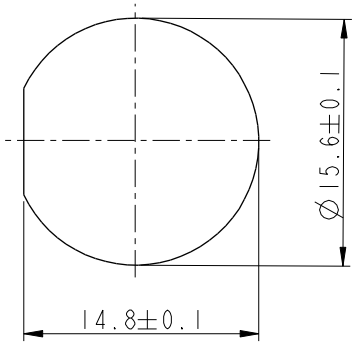
Note:

- \*  $\text{CC}$  Important Dimension To Check.
- \* Waterproof Rate: IP67
- \* Housing: Nylon+GF, Black
- \* Pin: Copper Alloy, Gold Plated
- \* Nut: Nylon+GF, Black
- \* Gasket EPDM, Black

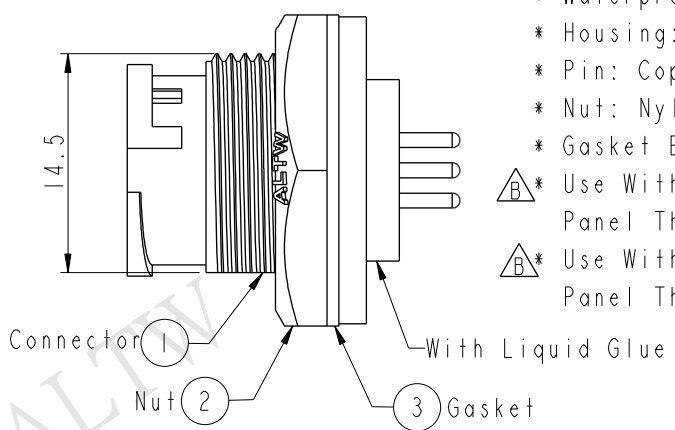
- $\triangle B^*$  Use With Waterproof Cap Or Dust Cap  
Panel Thickness Max: 3.0mm
- $\triangle B^*$  Use Without Waterproof Cap Or Dust Cap  
Panel Thickness Max: 4.5mm



Pin Assignments  
Front View



Recommended Panel Cut-out



UNIT: mm	
TOLERANCE	
.X	±0.25
.XX	±0.1
.XXX	±0.05
ANGLES	±1°

TITLE Standard Panel Lock 3Pin M Conn M Pin			
SCALE 2:1	SIZE A4	SHEET 1 OF 1	
REV. C	WC-REV. A.2	$\text{CC}$ : Inspection item	

**Amphenol LTW**  
安費諾亮泰企業股份有限公司

ITEM NO. BD-03PMMP-LC7001	DRAWN BY Ruru	DATE 2014-12-19
DWG NO. BD-03PMMP-LC7001	CHECKED BY Rita	DATE 2014-12-19
CUSTOMER ALTW	APPROVED BY Win	DATE 2014-12-19

THIS DOCUMENT IS SUBJECT TO CHANGE WITHOUT NOTICE. IT IS CONFIDENTIAL AND A PROPERTY OF Amphenol LTW. DISCLOSURE TO THIRD PARTY HAS TO BE AUTHORIZED BY Amphenol LTW.