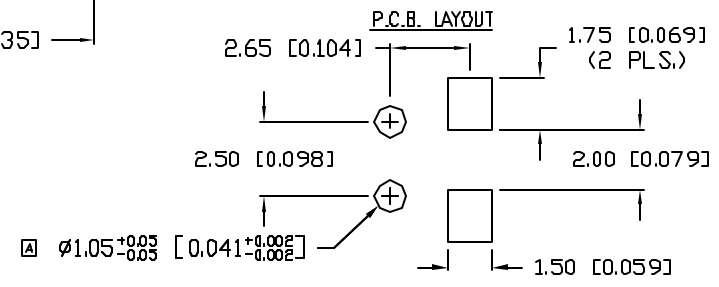
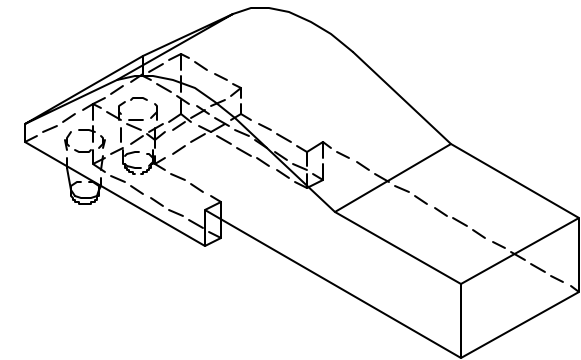
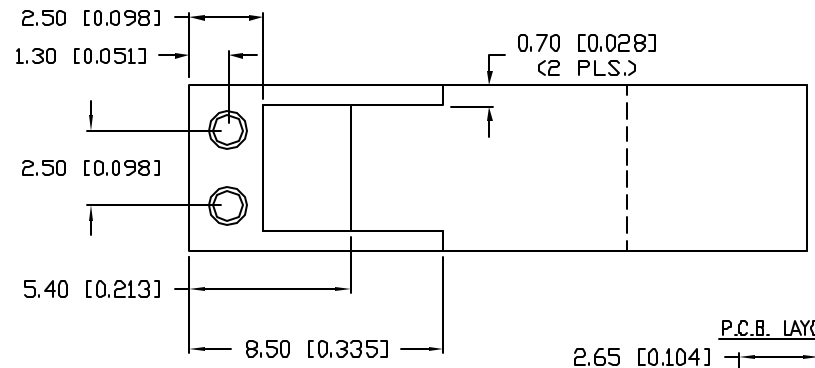
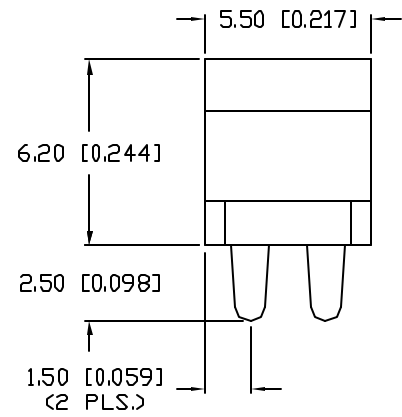
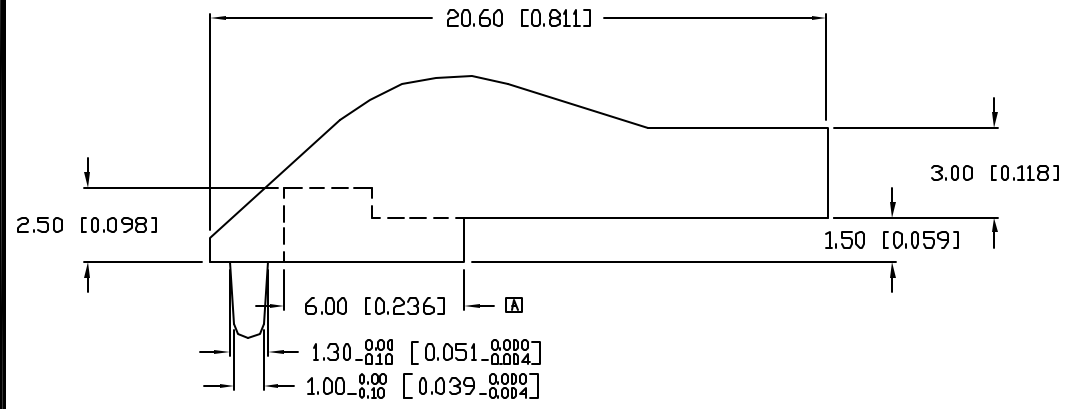


UNCONTROLLED DOCUMENT

PART NUMBER
LPF-R011362S

REV.
B

REV.	E.C.N. NUMBER AND REVISION COMMENTS	DATE
A	E.C.N. #11169.	09.23.04
B	E.C.N. #11322.	04.05.06



NOTES:

1. MATERIAL: CLEAR POLYCARBONATE, UL 94V-0.
2. TEMP. RANGE: -60°C TO +125°C.
3. RECOMMENDED LED: SML-LX1206xx SERIES.

REPLACES PART #: LLP-LXT010362S

*UNLESS OTHERWISE SPECIFIED TOLERANCES PER DECIMAL PRECISION ARE: X=±1 (±0.039), XX=±0.5 (±0.020), XXX=±0.25 (±0.010), XXXX=±0.127 (±0.005), LEAD SIZE=±0.05 (±0.002), LEAD LENGTH=±0.75 (±0.030). MIN.= +DECIMAL PRECISION -0.00 MAX.= +0.00 -DECIMAL PRECISION

UNCONTROLLED DOCUMENT

REV. B	PART NUMBER LPF-R011362S
-----------	-----------------------------

CONFIDENTIAL INFORMATION
THE INFORMATION CONTAINED IN THIS DOCUMENT IS THE PROPERTY OF LUMEX INC. EXCEPT AS SPECIFICALLY AUTHORIZED IN WRITING BY LUMEX INC., THE HOLDER OF THIS DOCUMENT SHALL KEEP ALL INFORMATION CONTAINED HEREIN CONFIDENTIAL AND SHALL PROTECT SAME IN WHOLE OR IN PART FROM DISCLOSURE AND DISSEMINATION TO ALL THIRD PARTIES.

RELIABILITY NOTE
OUR MANY YEARS OF EXPERIENCE DATA ACCUMULATION INDICATE THAT SOLDER HEAT IS A MAJOR CAUSE OF EARLY AND FUTURE FAILURE. PLEASE PAY ATTENTION TO YOUR SOLDERING PROCESS.



290 E. HELEN ROAD
PALATINE, IL 60067-6976
PHONE: +1.847.359.2790
US WEB: www.lumex.com
TW WEB: www.lumex.com.tw

3mm x 5.5mm RECTANGULAR RIGHT ANGLE SMT LIGHT PIPE,
WITH ROUND POSTS.

DRAWN BY: GB	CHECKED BY:	APPROVED BY:	DATE: 6.20.02 PAGE: 1 OF 1 SCALE: N/A
-----------------	-------------	--------------	---