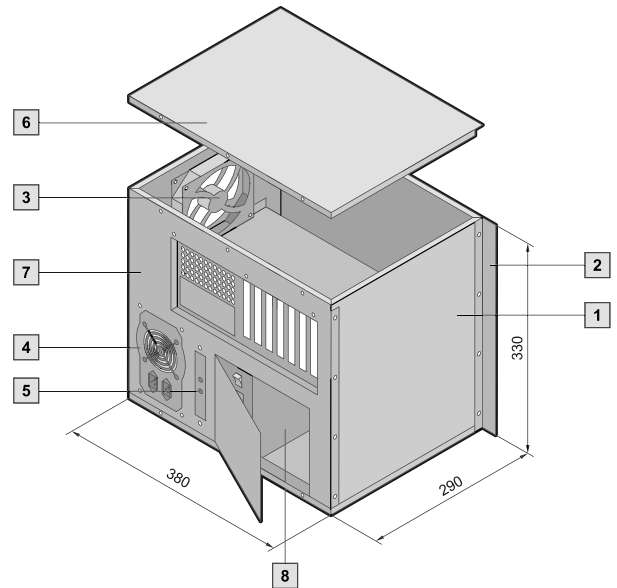


ATX with front connections for wall mounting



Technical specifications:

System for the installation of ATX/Mini-ATX or Micro-ATX boards and 3 x 5¼" and 1 x 3½" drives, vertical.
 Width: 380 mm
 Height: 330 mm
 Total depth: 292.5 mm
 Connections for I/Os, front EMC prepared.
 Suitable for mounting on mounting plates.

Material/surface finish:

Case, covers: 1.2 mm sheet steel, zinc-plated, unpainted, unpainted contact points

Standards:

Complies with IEC 60 297-3 and ATX specification 2.01

Special designs available on request.

Supply includes:

- 1 Rack-mount system, including drive holder
- 2 Flanges for wall mounting
- 3 1 x 120 mm fan
- 4 ATX power pack 300 W
- 5 LED displays

6 Cover

7 Front panel

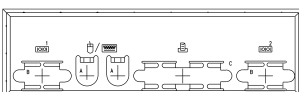
8 Drive holder for 3 x 5¼" and 1 x 3½"

	Packs of		Page
Width mm		380.0	
Height mm		330.0	
Depth mm		292.5/290.0	
Order No. basic system fully assembled	1	3659.710	
Accessories			
Unused slot cover	5	3659.030	64
Cover for 5¼" drive space	1	3659.110	64
Cover for 3½" drive space	1	3659.410	64
Uninterruptible power supply	1	3659.080	161
ATX I/O covers, sheet steel¹⁾			
Type „Aurora Marl“	1	3659.040	–
Type „Tucson“/„Venus“	1	3659.130	–
Type „Providence“	1	3659.140	–

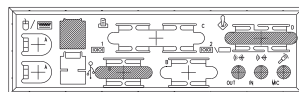
¹⁾ Other versions available on request; please specify the type of mainboard.

ATX I/O covers:

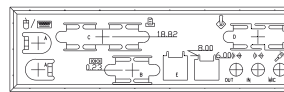
Type „Aurora Marl“



Type „Venus“



Type „Providence“



Type „Tucson“

