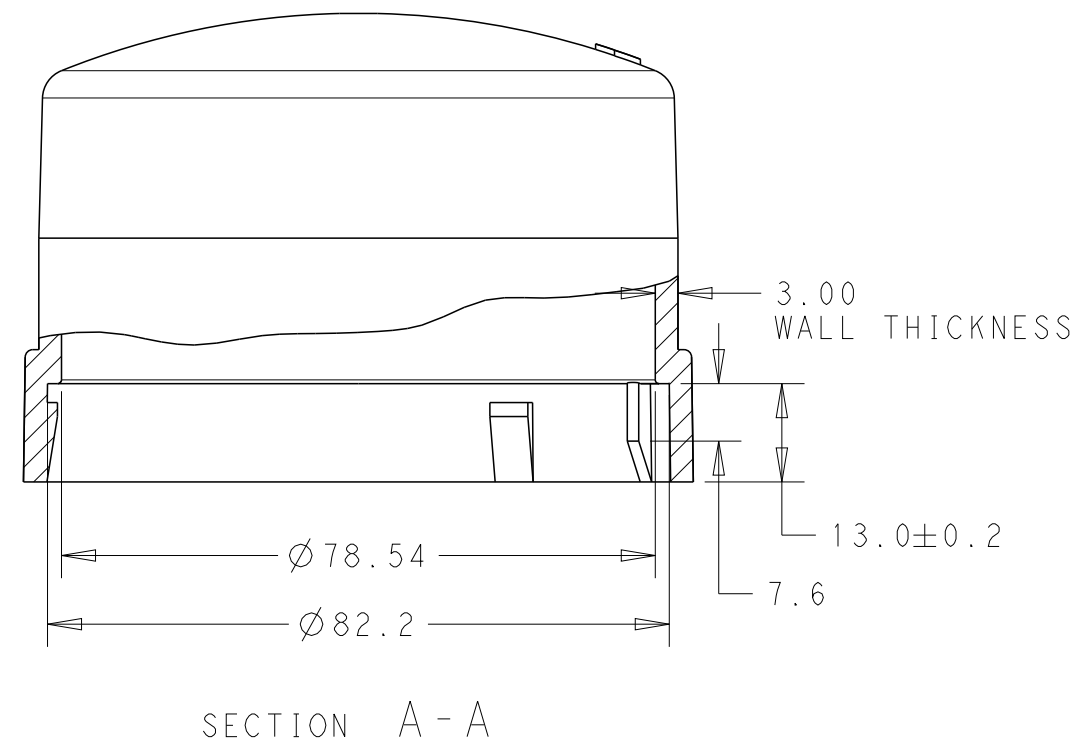
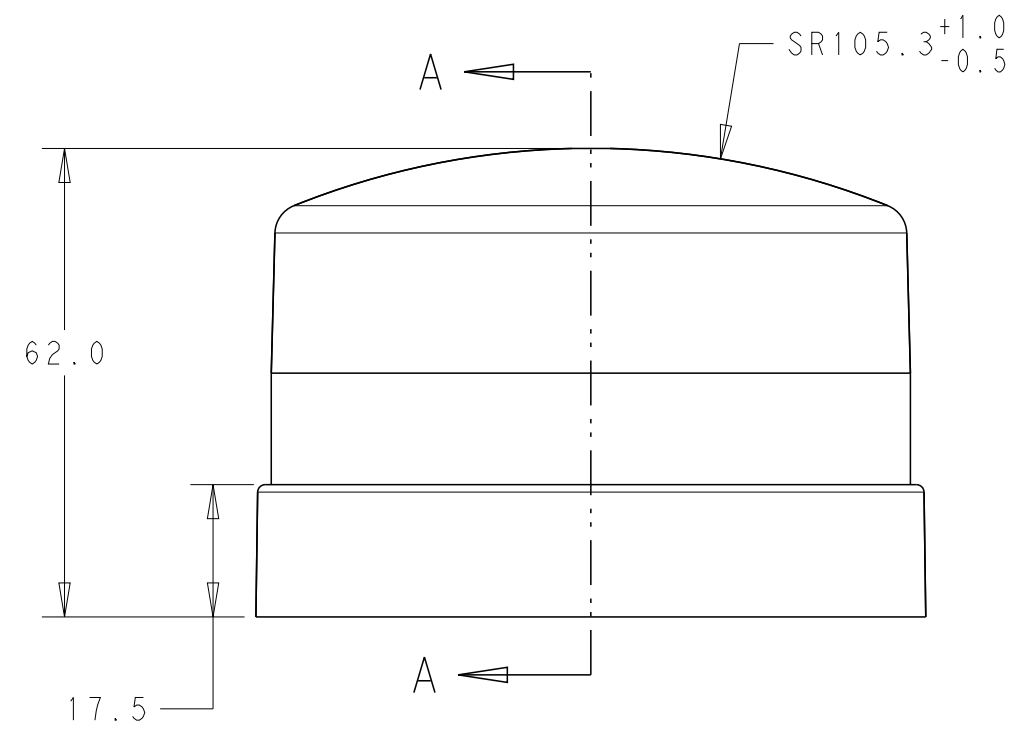


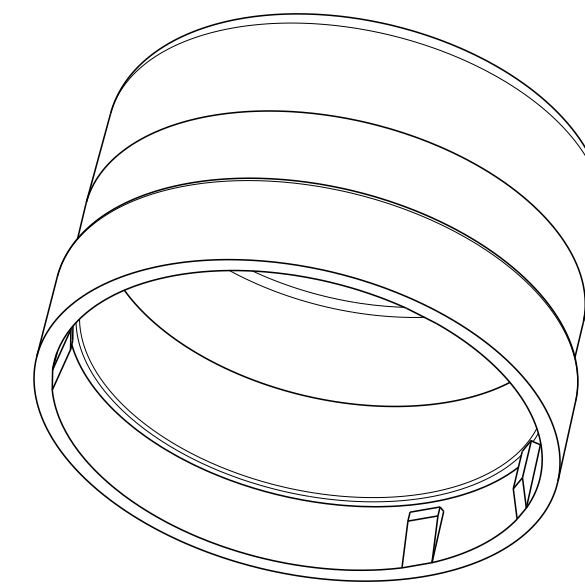
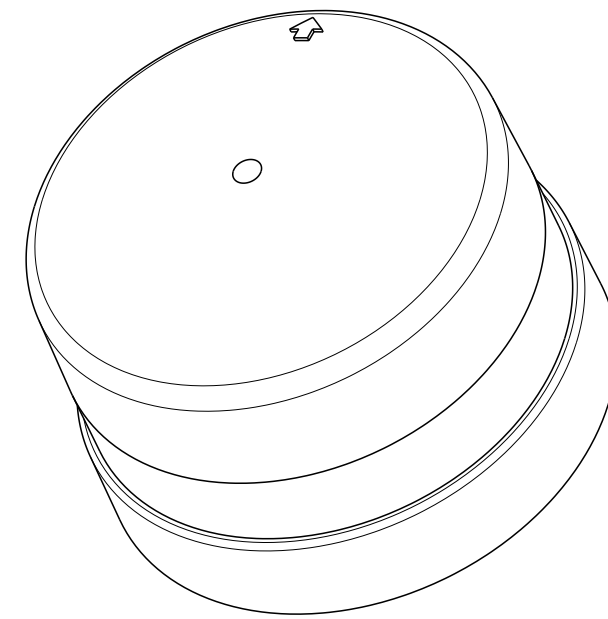
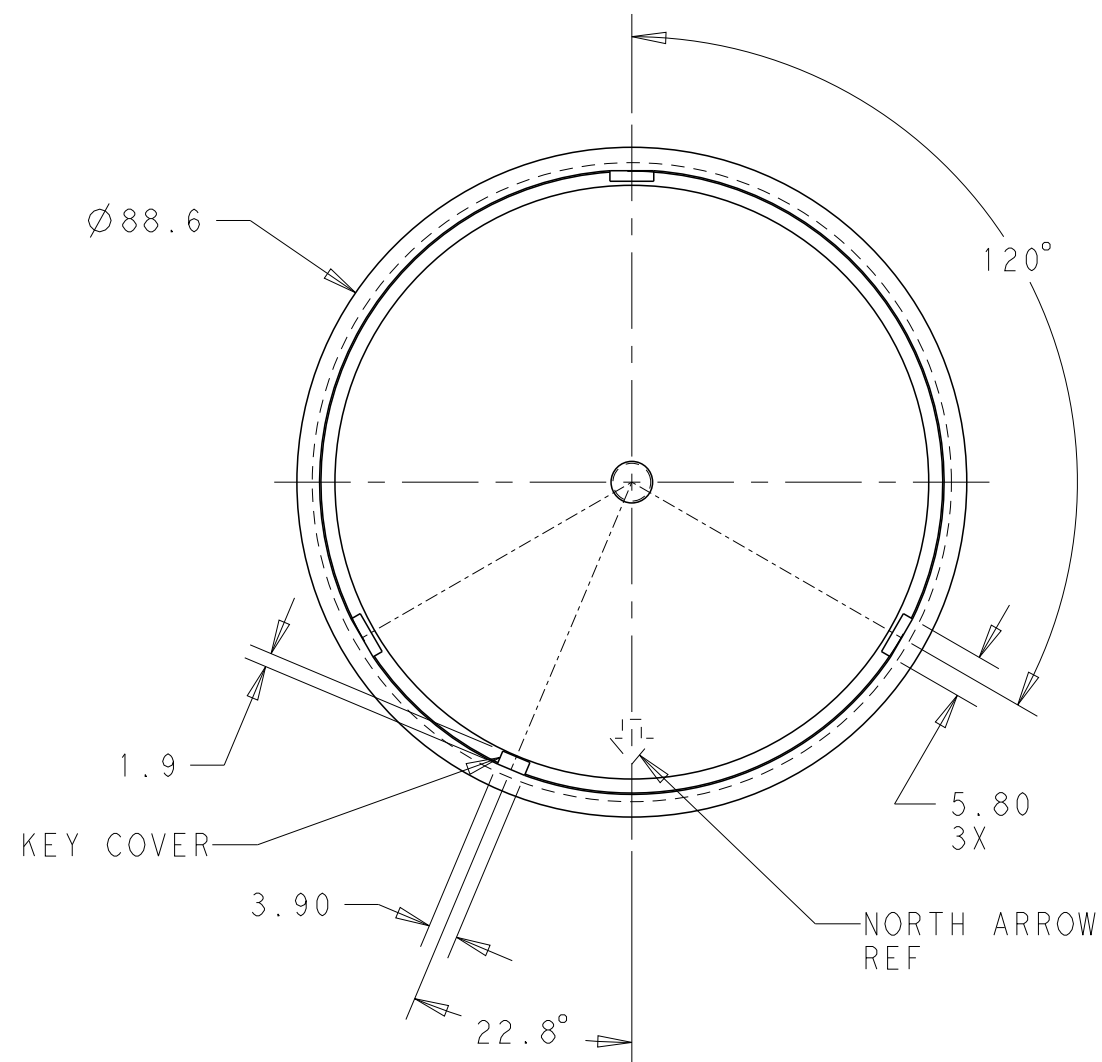
THIS DRAWING IS UNPUBLISHED. RELEASED FOR PUBLICATION 20
 © COPYRIGHT 20 BY - ALL RIGHTS RESERVED.

REVISIONS				
P	LTR	DESCRIPTION	DATE	APVD
	A	RELEASED FOR PRODUCTION	17OCT2017	RK DD



NOTES:

- ⚠ MATERIALS:
HOUSING: POLYCARBONATE, UV 5VA RATED
COLOR: SEE TABLE
- ⚠ MATING BASE TE P/N: 2213871-2,1-2213871-2.
- 3. THIS PRODUCT HAS NOT COMPLETED VALIDATION TESTING.



78%	TRANSLUCENT CLEAR	1-2315539-1
24%	TRANSLUCENT SMOKE GRAY	2315539-1
APPROXIMATE LIGHT TRANSMISSION		COLOR
		PART NO.

THIS DRAWING IS A CONTROLLED DOCUMENT.		DWN J. SHAFFER 13JAN2017	STE TE Connectivity																						
		CHK E. HOWARD 13JAN2017																							
DIMENSIONS: mm		TOLERANCES UNLESS OTHERWISE SPECIFIED:		APVD -																					
<table border="1"> <tr><td>0 PLC</td><td>±</td><td>-</td></tr> <tr><td>1 PLC</td><td>±0.2</td><td>-</td></tr> <tr><td>2 PLC</td><td>±0.13</td><td>-</td></tr> <tr><td>3 PLC</td><td>±</td><td>-</td></tr> <tr><td>4 PLC</td><td>±</td><td>-</td></tr> <tr><td>ANGLES</td><td>±</td><td>±3°</td></tr> <tr><td>FINISH</td><td>-</td><td>-</td></tr> </table>		0 PLC	±	-	1 PLC	±0.2	-	2 PLC	±0.13	-	3 PLC	±	-	4 PLC	±	-	ANGLES	±	±3°	FINISH	-	-	PRODUCT SPEC 108-32125	NAME COVER, LIGHT CONTROLLER 81mm DIA, MEDIUM	
0 PLC	±	-																							
1 PLC	±0.2	-																							
2 PLC	±0.13	-																							
3 PLC	±	-																							
4 PLC	±	-																							
ANGLES	±	±3°																							
FINISH	-	-																							
MATERIAL -		APPLICATION SPEC 114-32159	SIZE A2	CAGE CODE -																					
		WEIGHT -	DRAWING NO. C-2315539	RESTRICTED TO -																					
		CUSTOMER DRAWING	SCALE 1:1	SHEET 1 OF 1																					
			REV A																						