

## CLV Infrared Window for indoor low-voltage applications

### Technical Data

#### Increase the safety and speed of electrical thermography

Inspect your indoor switchgear safely with the latest IR Window from Fluke. If you are concerned about arc-flash or electrocution risk, this latest IR Window can help increase the safety of your personnel and reduce the cost of predictive maintenance, in compliance with indoor switchgear codes.

- Industry's first and only IR Window tested to UL1558 Low Voltage Switchgear Standard
- Certified by UL as suitable for Type 1 (Indoor) environment in North America, these windows are tested to withstand the long term aging effects of UV exposure.
- The CLIRVU® coating—exclusive to Fluke Windows—seals the optic prior to assembly to protect against moisture degradation.
- For use on enclosures up to 600 V.
- Identification plate attached for unique, onsite numbering for rapid location confirmation and faster repairs.
- Each infrared window comes complete with a security access key, installation instructions and self-adhesive drilling template.



The CLV IR Window from Fluke incorporates the Quadraband™ optic, allowing you to perform multiple inspections using just one IR Window.

- Visual
- Mid-wave infrared
- Long-wave infrared
- Ultraviolet and corona

## Specifications

3460609 FLK-075-CLV	
Crystal insert diameter	75 mm (2.96 in)
Viewing aperture diameter	68 mm (2.7 in)
Viewing aperture area	3632 mm <sup>2</sup> (5.63 sq in)
Thickness	2 mm (0.08 in)
Shortwave IR, Midwave IR, Longwave IR, Ultraviolet (UV) capable	Yes
Visual and fusion capable	Yes
Maximum temperature	Gaskets: 250 °C (482 °F)
	Body: 200 °C (392 °F)
	Optic: 1400 °C (2552 °F)
Gaskets	Low smoke and fume (LSF) compliant silicone
IP Rating	IP65
Warranty	Lifetime replacement against manufacturing defects

## Certifications

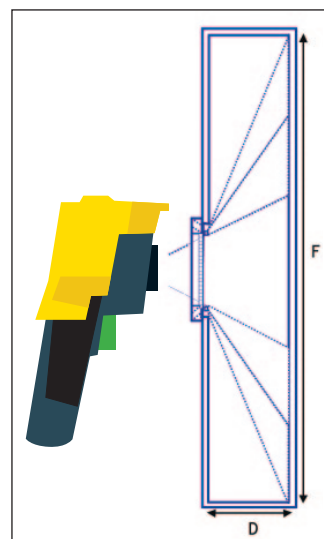
Underwriters Laboratories (UL) recognized	Yes
UL50 environmental	Type 1
UL746C	Yes
UL94	Yes - VO
UL1558	Yes

## Ordering information

### 3460609 FLK-075-CLV 75 mm (3 in)

#### Included with product

IR Windows are supplied complete, assembled and ready for installation. In addition to the IR Window each carton contains an installation CD, self-adhesive drilling template, security access key, warranty statement.



Basic Field of View (FOV) calculation\*:  
 $F = 2.5 \times D$

\*With Fluke Ti32 standard lens and 3 inch IR window

**Fluke.** *Not just infrared.  
 Infrared you can use.™*

**Fluke Corporation**  
 PO Box 9090, Everett, WA 98206 U.S.A.

**Fluke Europe B.V.**  
 PO Box 1186, 5602 BD  
 Eindhoven, The Netherlands

**For more information call:**  
 In the U.S.A. (800) 443-5853 or  
 Fax (425) 446-5116  
 In Europe/M-East/Africa +31 (0) 40 2675 200 or  
 Fax +31 (0) 40 2675 222  
 In Canada (800)-36-FLUKE or  
 Fax (905) 890-6866  
 From other countries +1 (425) 446-5500 or  
 Fax +1 (425) 446-5116  
 Web access: <http://www.fluke.com>

©2011 Fluke Corporation.  
 Specifications subject to change without notice.  
 Printed in U.S.A. 5/2011 4015768A D-EN-N

**Modification of this document is not permitted  
 without written permission from Fluke Corporation.**