
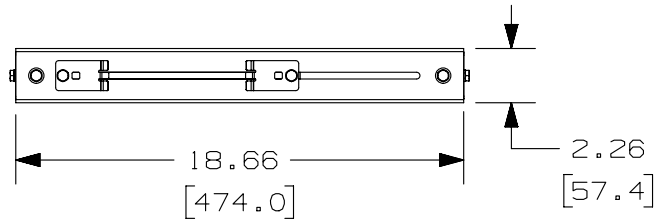


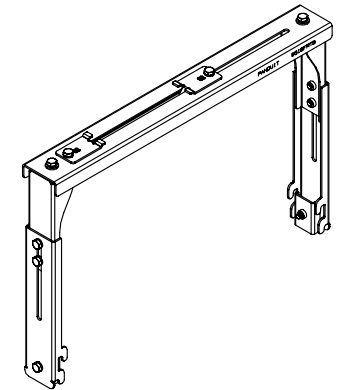
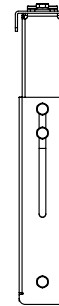
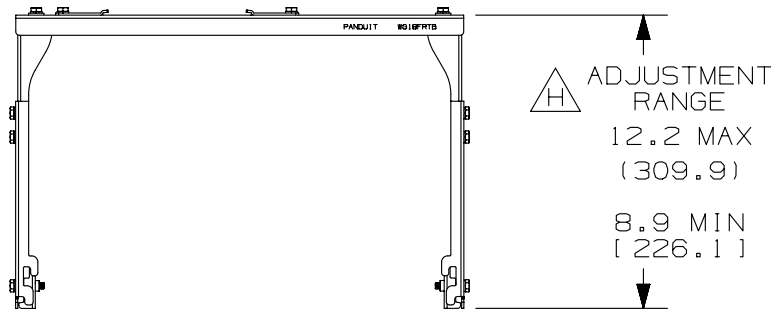
THIS COPY IS PROVIDED ON A RESTRICTED BASIS AND IS NOT TO BE USED IN ANY WAY DETRIMENTAL TO THE INTERESTS OF PANDUIT CORP.

PANDUIT PART NUMBER	WEIGHT
 WG18FRTB**	4.55 LBS/EACH (2063.8 g/EACH)




NOTE:

- PANDUIT PART NUMBER WG18FRTB\*\* INCLUDES:
  - ONE (1) WYR-GRID 18" WIDTH FIBERRUNNER TRAPEZE BRACKET ASSEMBLY FOR 4X4 AND 6X4
  - TWO (2) WYR-GRID FIBERRUNNER TRAPEZE UPRIGHT SUPPORT BRACKET ASSEMBLIES
  - TWO (2) 1/4-20 X 3/4 HEX HEAD CAP SCREWS
  - FOUR (4) 1/4 -20 HELICAL SPRING LOCKWASHERS
  - TWO (2) 1/4-20 SAE FLAT WASHER
  - TWO (2) WYR-GRID INTEGRAL BRACKET LOWER CLIP ASSEMBLIES
  - TWO (2) 1/4-20 X 1-1/8 HEX HEAD CAP SCREWS
- DIMENSIONS IN PARENTHESES ARE METRIC.
- PROVIDES ABILITY TO MOUNT FIBERRUNNER 6.6" TO 9.9" ABOVE WYR-GRID.
- SEE CATALOG FOR ADDITIONAL PART SUFFIXES TO INDICATE PART FINISH AND/OR PACKAGE QUANTITY.



REV	DATE	BY	CHK	APR	DESCRIPTION	ECN
4	09-06-13	SSP	KMC	RN	I. REVISED INTEFRAL TO INTEGRAL ON NOTE 1.F	10D166AG-DC
3	03-27-13	SSP	DWR	RN	H. REVISED THE ADJUSTMENT RANGE TOLERANCES G. ADDED '**' SUFFIX TO PANDUIT PART NUMBER F. ADDED NOTE #4 TO GENERAL NOTES E. REMOVED PRIOR NOTE(S)	10D166AG-DC

TITLE <b>WYR-GRID 18" WIDTH FIBERRUNNER TRAPEZE BRACKET FOR 4X4 AND 6X4 (WG18FRTB**)</b>		
CUSTOMER DRAWING		
ITEM REVISION NAME 10D166AG/03.PRT		<b>PANDUIT</b> <sup>TM</sup>
DATASET FILE NAME 10D166AG-DC/03E WG18FRTB**.PRT		
UNLESS OTHERWISE SPECIFIED, DIMENSIONAL TOLERANCES ARE: IN [ mm ] .X ± .XXX ± .XX ± .05 [ 1.3 ] ANGLES ±		MATERIAL: <b>STEEL</b>
THIRD ANGLE PROJECTION		DRAWING NUMBER: 10D166AG-DC
DRAWN BY JAHA	DATE 06-11-10	CHK EB
SCALE NONE	SHT 1 OF 1	
SIZE A		

DI10100DA/11