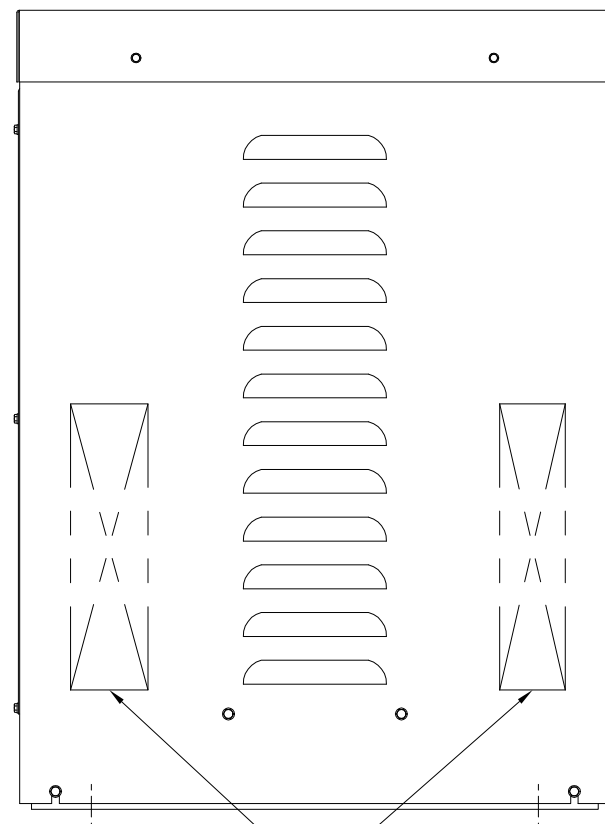
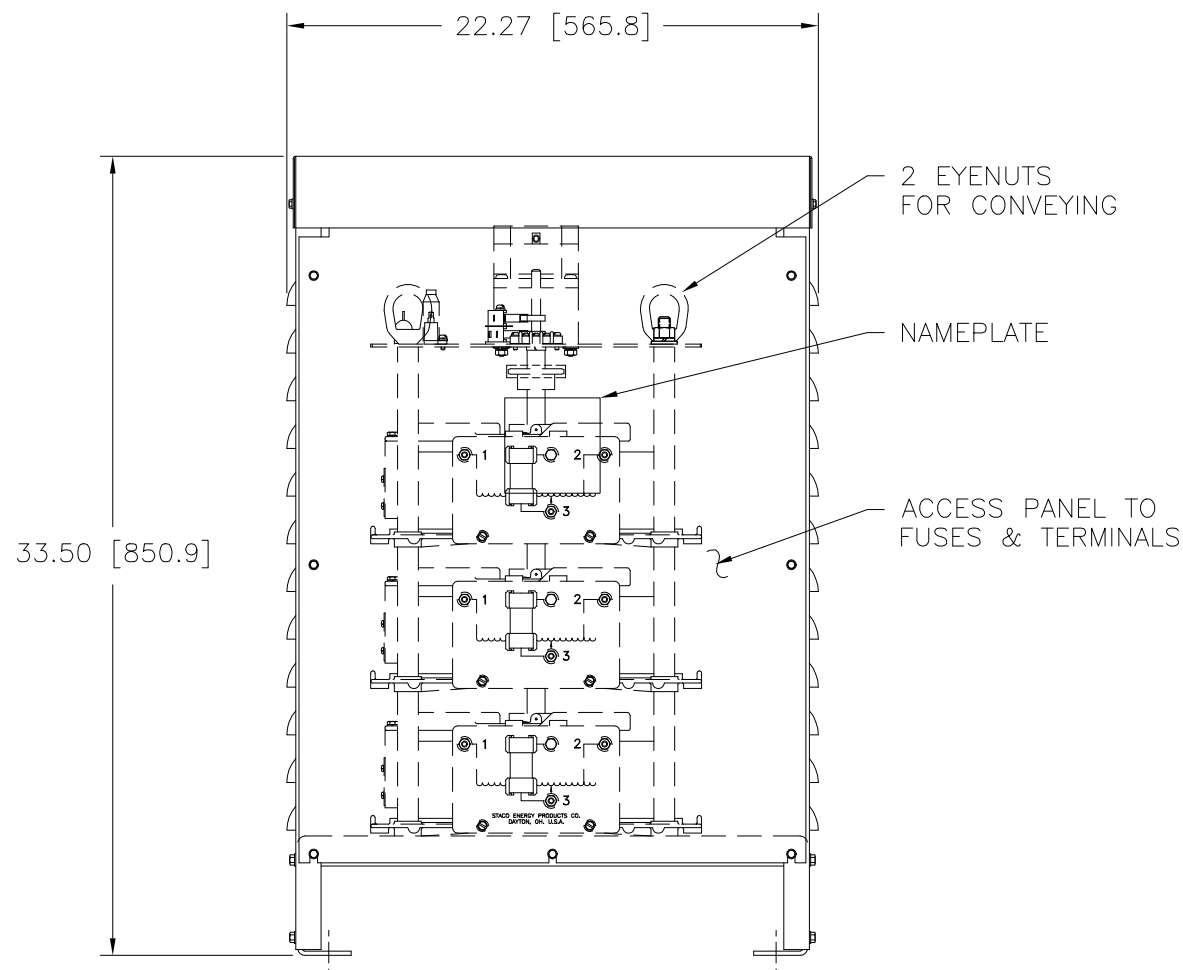


MOTOR CIRCUIT  
 120V, 50/60 HZ  
 \* ROTATION AS VIEWED  
 FROM TOP END  
 MOTOR SPEEDS: 5, 15, 30, 60 SEC.



SPEED (SECONDS)	MODEL NUMBER
5	5M5011E-3Y
15	15M5011E-3Y
30	30M5011E-3Y
60	60M5011E-3Y

WIRING	INPUT		OUTPUT		SHAFT ROTATION FOR VOLTAGE INCREASE	TERMINAL CONNECTIONS FOR INCREASING VOLTAGE AS VIEWED FROM TOP		
	VOLTS	HERTZ	VOLTS	CONSTANT CURRENT LOAD		INPUT	OUTPUT	
				MAX. AMPS				MAX. KVA
THREE PHASE WYE	240	60	0-280	50	24.2	CW	2-2-2 3-3-3	

UNLESS OTHERWISE SPECIFIED, TOLERANCE IS ±

DECIMALS	HOLES	ANGLES	DRAFT	UNITS
.XX	.0000	1°	1-1/2°	IN [mm]
.XXX	.005			

MATERIAL: ALL DIMENSIONS APPLY AFTER PLATING

TITLE: SPECIFICATION CONTROL DRAWING  
 MOTORIZED VARIABLE TRANSFORMER  
 5 15 30 & 60M5011E-3Y

STACO ENERGY PRODUCTS CO.  
 A Components Corporation of America Company  
 3025 Guadalupe Boulevard Dayton, Ohio 45424 USA

DRAWN BY	DATE	FIRST USED ON	DO NOT SCALE DWG.
TIM RAU	12/14/95		
CHECKER	DATE	WEIGHT APPROX.	CAGE CODE
			83008
ENGINEER	DATE	SCALE	DWG. NO.
		.25=1	031-6872

SHEET 1 OF 1