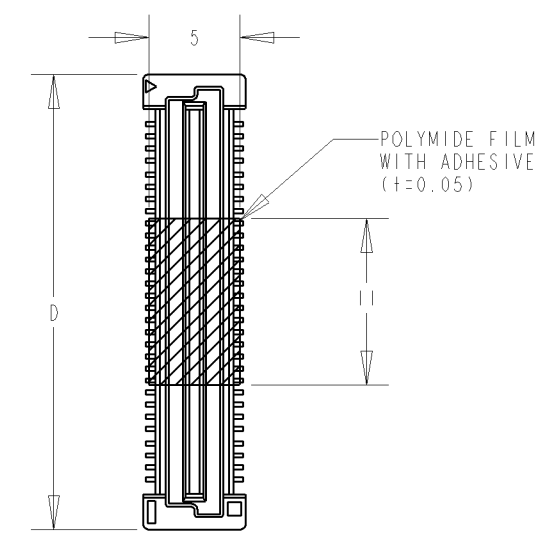
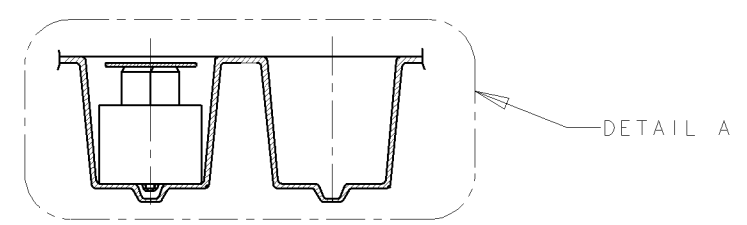
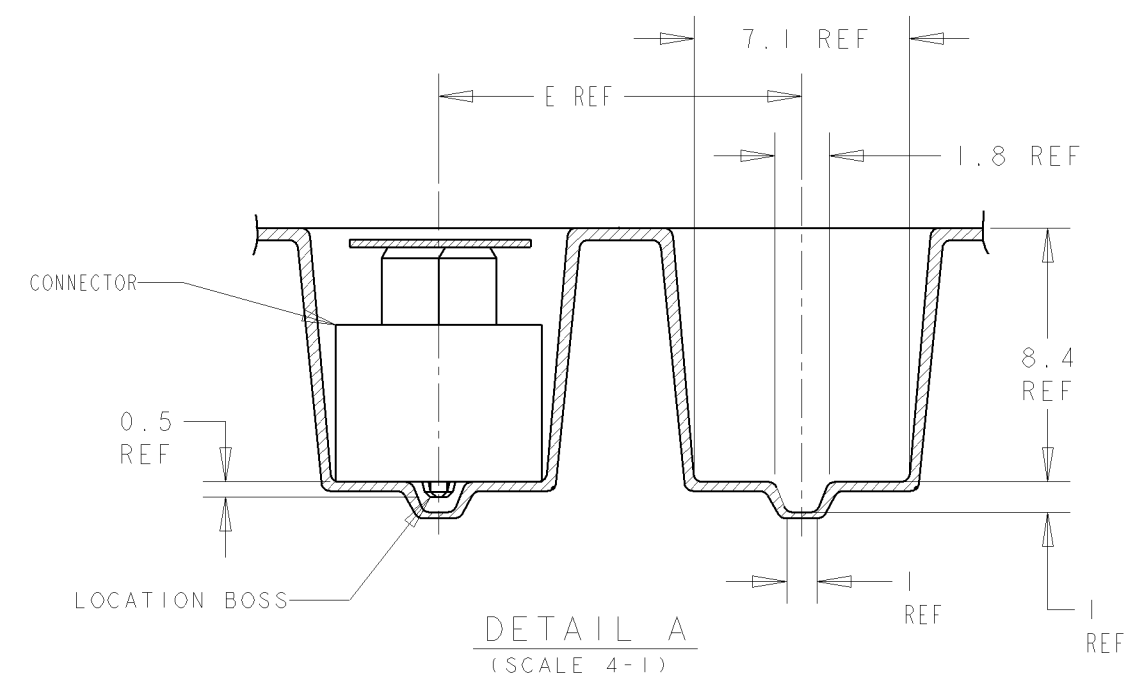
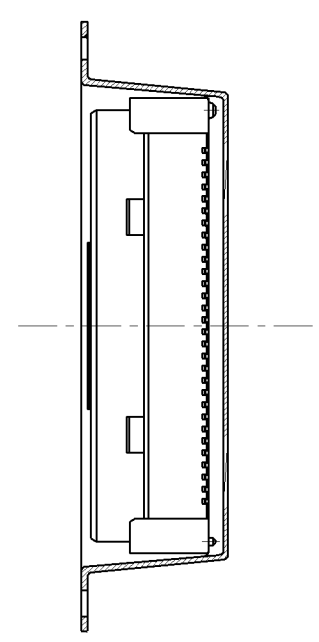
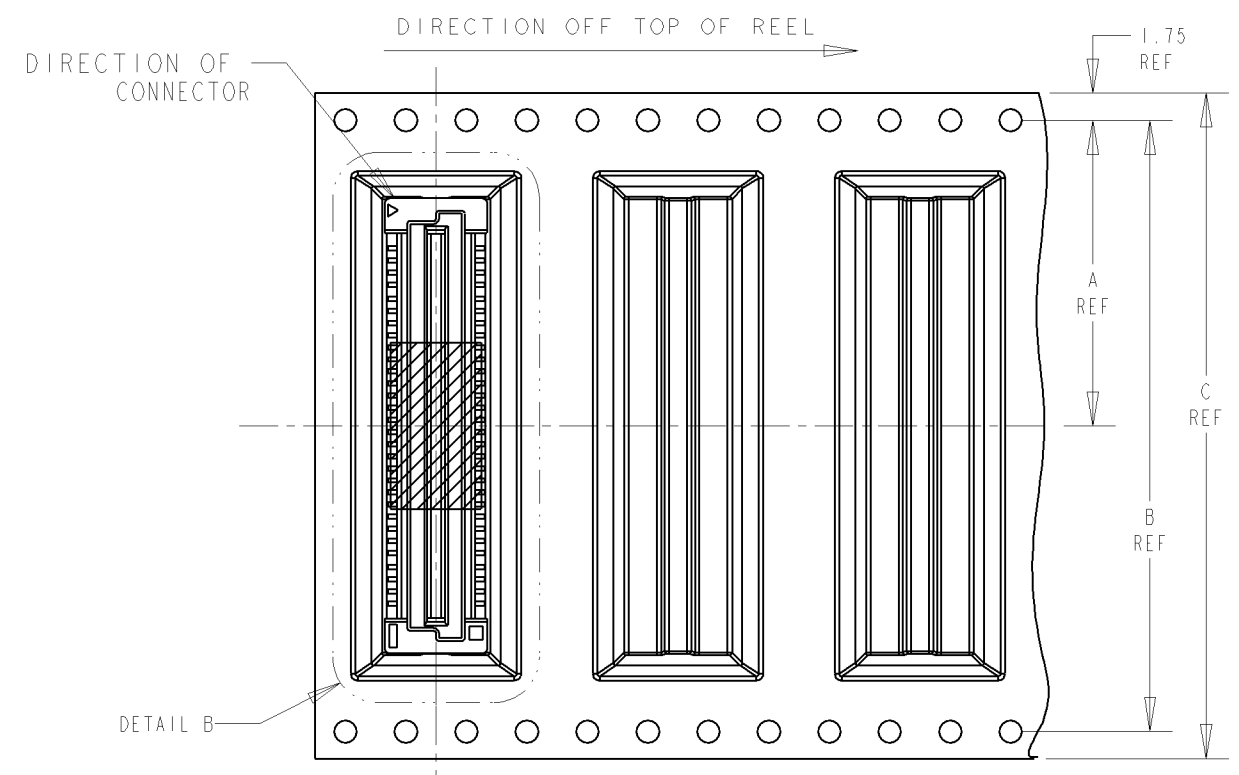
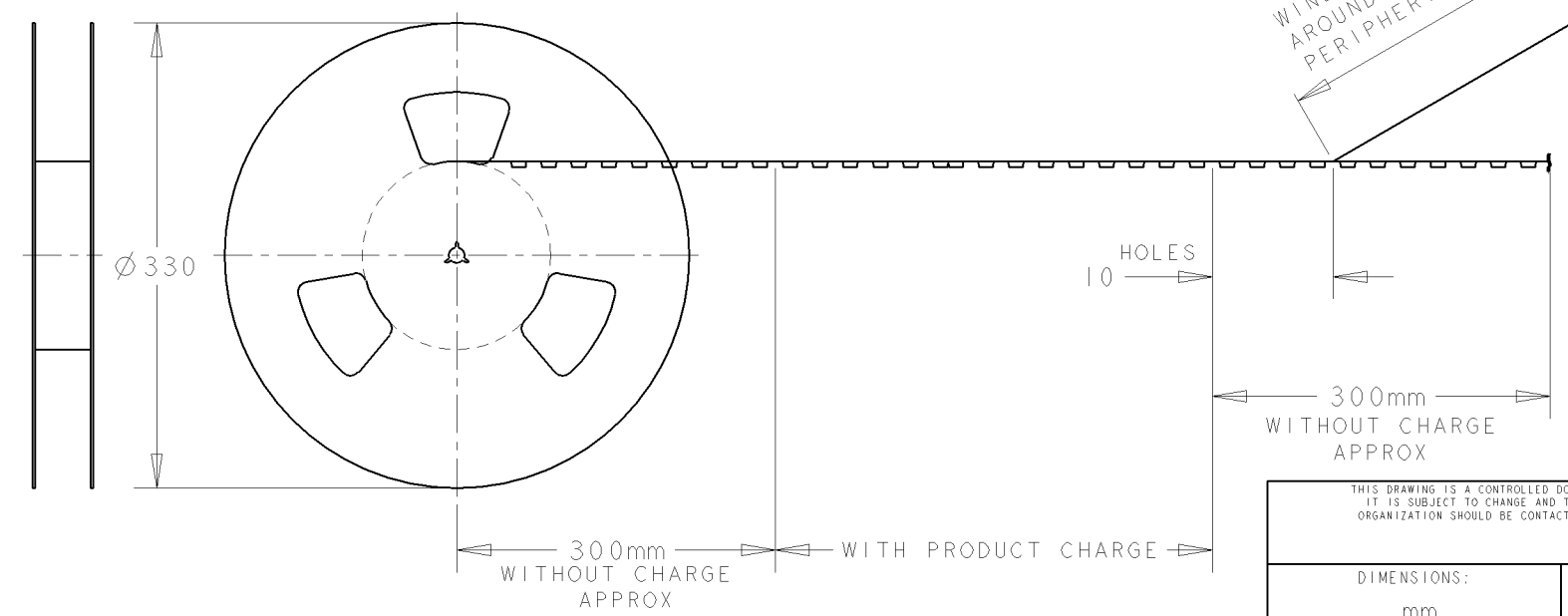


THIS DRAWING IS UNPUBLISHED. RELEASED FOR PUBLICATION .19  
 © COPYRIGHT 19 BY AMP INCORPORATED. ALL RIGHTS RESERVED.

LOC	DIST	REVISIONS					
		P	LTR	DESCRIPTION	DATE	DWN	APVD
DY	-		A	REVISED PER ECR-08-027346	29OCT2008	SYJ	LSF



NOTES:  
 1 MATERIAL:  
 HOUSING: HIGH TEMP THERMOPLASTICS UL94-V0  
 CONTACTS: COPPER ALLOY  
 2 FINISH:  
 UNDERPLATE: 1.3um MIN NICKEL  
 MATING AREA: 0.2um MIN AU  
 SOLDEXTAIL: 2.0um MIN TIN-LEAD



NOT AVAILABLE	400	9H	16	53.8	72	68.4	34.2	5-5179009-5	120	1735435-5
AVAILABLE	400	9H	16	45.8	72	68.4	34.2	5-5179009-4	100	1735435-4
NOT AVAILABLE	500	9H	12	29.8	44	40.4	20.2	5-5179009-2	60	1735435-2
AVAILABLE	500	9H	12	21.8	32	28.4	14.2	5-5179009-1	40	1735435-1
REMARKS	QTY	HEIGHT TYPE	E	D	C	B	A	CONNECTOR P/N	POS	PART NO.

THIS DRAWING IS A CONTROLLED DOCUMENT FOR AMP INCORPORATED. IT IS SUBJECT TO CHANGE AND THE CONTROLLING ENGINEERING ORGANIZATION SHOULD BE CONTACTED FOR THE LATEST REVISION.		DWN WYLEE 18MAY2007	Tyco Electronics Singapore Pte. Ltd.		
DIMENSIONS: mm		CHK YJ SEE	NAME RECEPTACLE ASSY FOR 0.8 FH BTB CONN. 9mm HEIGHT (0.5mm BOSS LENGTH), ON EMBOSS TAPING WITH POLYIMIDE FILM, LF		
TOLERANCES UNLESS OTHERWISE SPECIFIED: 0 PLC ± - 1 PLC ± 0.3 2 PLC ± 0.25 3 PLC ± 0.2 4 PLC ± - ANGLES ± 3°		APVD SF LEONG	DRAWING NO 1735435		
MATERIAL		PRODUCT SPEC 108-5390	SIZE A3	CAGE CODE 00779	SCALE 2:1
FINISH		APPLICATION SPEC 114-5254	SHEET 1 OF 1		REV A
CUSTOMER DRAWING		WEIGHT -	REVISIONS		