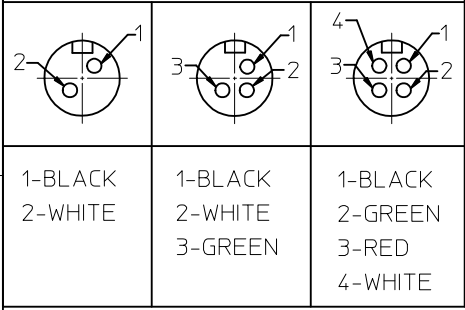
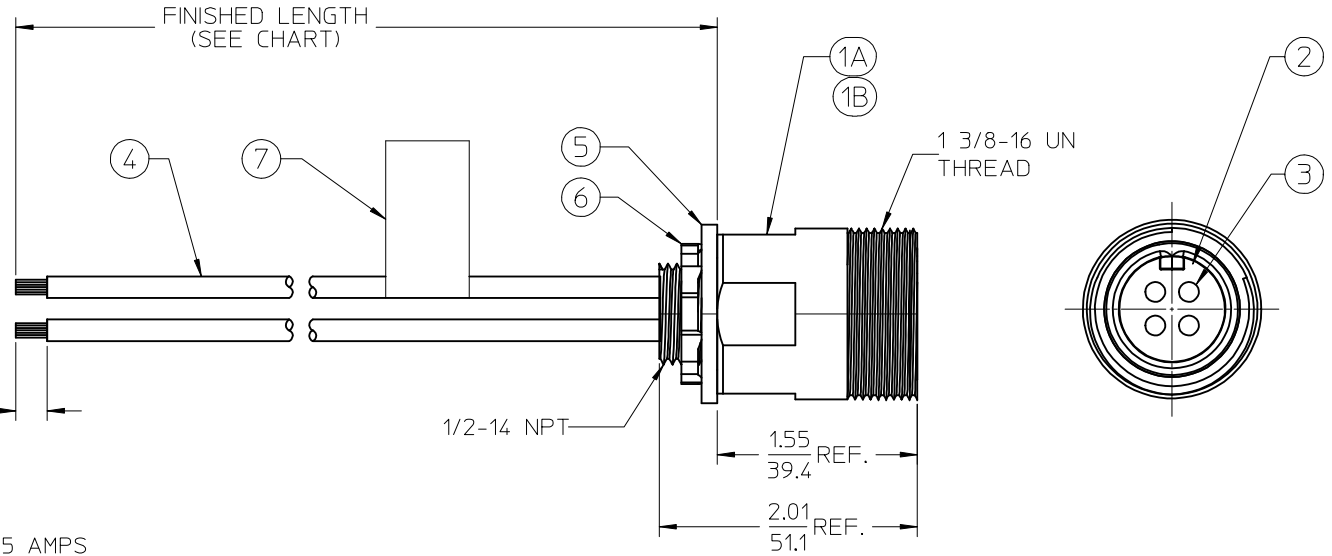


MALE FACE VIEW



- | | | |
|--------------------|-------------------------------|--|
| 1-BLACK
2-WHITE | 1-BLACK
2-WHITE
3-GREEN | 1-BLACK
2-GREEN
3-RED
4-WHITE |
|--------------------|-------------------------------|--|

POLES	MATERIAL NO.	ENGINEERING NO.	FINISHED LENGTH
2	1300030008	32017	12.00 +.75-0 (305mm +19mm-0)
3	1300030023	32317	12.00 +.75-0 (305mm +19mm-0)
4	1300030048	32632	12.00 +.75-0 (305mm +19mm-0)



- NOTES:
1. MATERIAL: SEE TABLE
 2. FINISHES: SEE TABLE
 3. ELECTRICAL SPECIFICATIONS
VOLTAGE RATING: 600V AC/DC
CURRENT RATING: 2P-18 AMPS, 3P-18 AMPS, 4P-15 AMPS
 4. XX REFERS TO POLE COUNT
 5. PROTECTION: IP67
 6. ASSEMBLY IS RoHS COMPLIANT BY EXEMPTION

7	1	FLAG LABEL	VINYL	BLACK/YELLOW
6	1	LOCKNUT	STEEL	ZINC PLATED
5	1	GASKET	NEOPRENE	BLACK
4	XX	WIRE, 14 AWG, UL 1015	PVC INSULATION	SEE FACE VIEW
3	XX	CONTACT PIN	Cu ALLOY	UN-PLATED
2	1	INSERT	RUBBER	YELLOW
1B	1	RECEPTACLE SHELL	OPT: ALUMINUM	CLEAR ANODIZE
1A	1	RECEPTACLE SHELL	NYLON	BLACK
ITEM	QTY.	DESCRIPTION	MATERIAL	FINISH

UPDATED RECEPT SHELL
 EC NO: IPG2016-0945
 /DRAWINGGUSTAFSON 2015/12/29
 CHKD:YOU 2016/05/16
 APPR:BMOODMAN 2016/05/27

QUALITY SYMBOLS
 ▼=0
 ▽=0

GENERAL TOLERANCES (UNLESS SPECIFIED)

	mm	INCH
4 PLACES	± .005	± .0005
3 PLACES	± .01	± .001
2 PLACES	± .02	± .002
1 PLACE	± .05	± .005
0 PLACE	± .10	± .010

ANGULAR ± 2°
 DRAFT WHERE APPLICABLE
 MUST REMAIN WITHIN DIMENSIONS

DIMENSION STYLE IN/MM
 DRAWN BY RSTONE DATE 2012/11/28
 CHECKED BY K. JOZWIK DATE 2013/01/16
 APPROVED BY JFMURPHY DATE 2013/03/01

SCALE 1:1 DESIGN UNITS INCH THIRD ANGLE PROJECTION

TITLE QUICK CHANGE RECEPTACLE MALE 2-3 POLE, 14 AWG

molex

MATERIAL NO. SEE CHART DOCUMENT NO. SD-130003-003 SHEET NO. 1 OF 1

THIS DRAWING CONTAINS INFORMATION THAT IS PROPRIETARY TO MOLEX INCORPORATED AND SHOULD NOT BE USED WITHOUT WRITTEN PERMISSION