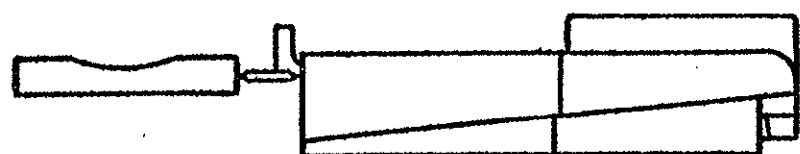


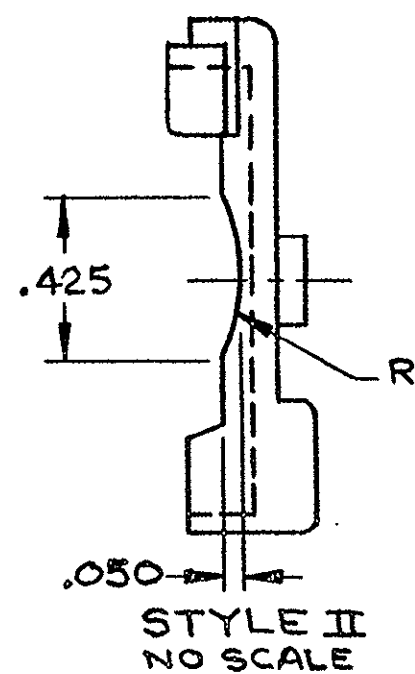
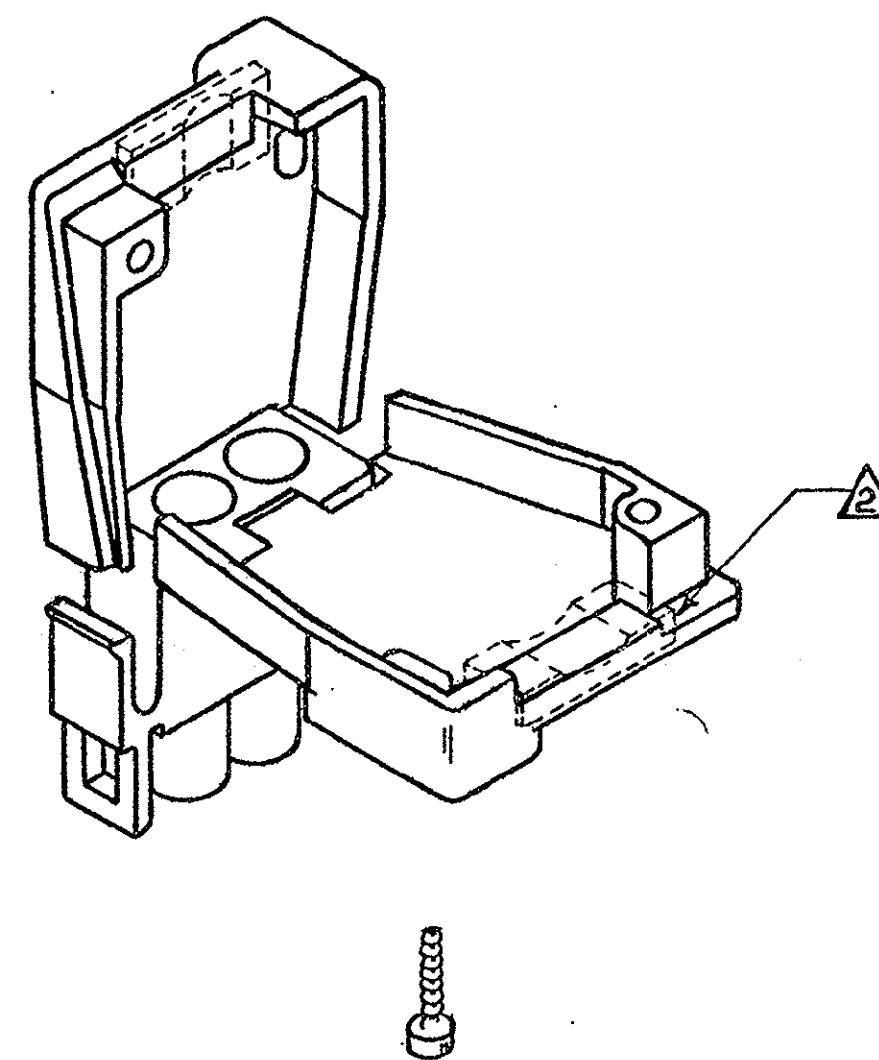
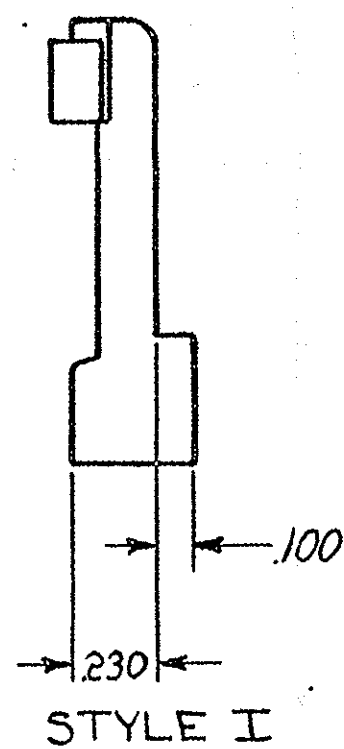
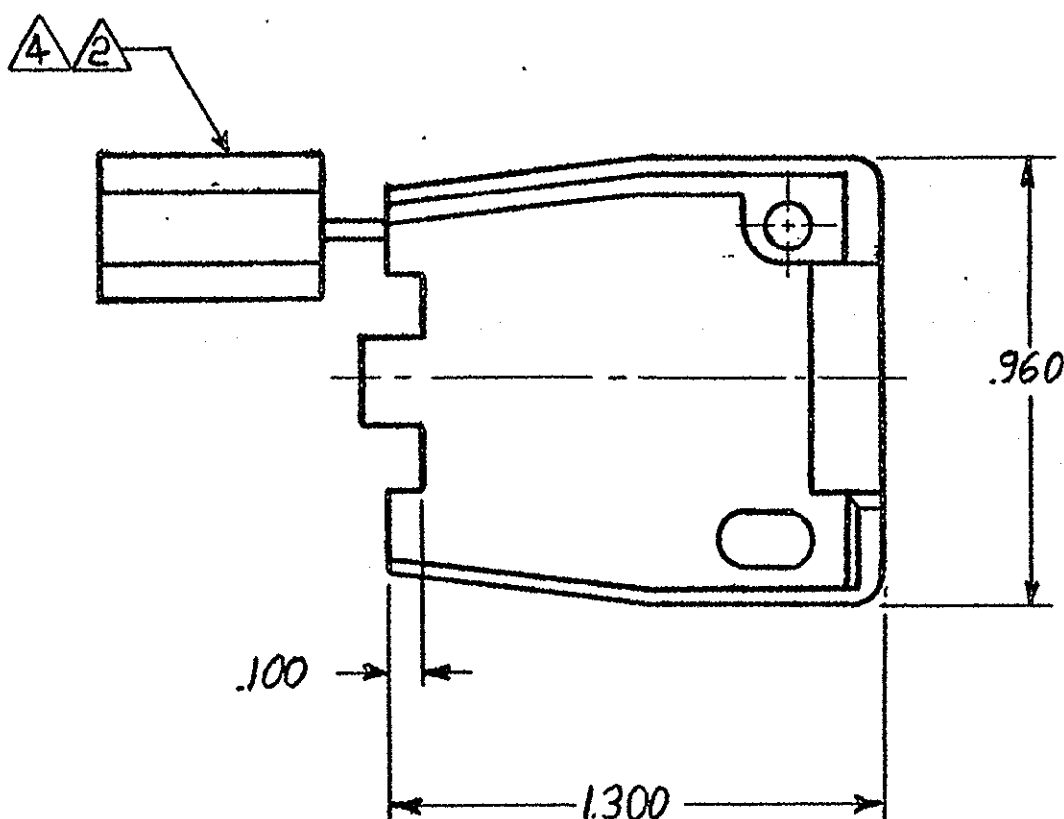
© COPYRIGHT

REVISIONS						
P	F	ZONE	LTR	DESCRIPTION	DATE	APPROVED
		D1		REVISED PER ECO-11-005294	07APR11	HMR

- 1 SHEET METAL SCREWS NOT SUPPLIED.
- 2 INSERT IS ATTACHED TO STRAIN RELIEF. AS AN ADDITIONAL ADJUSTMENT FOR SMALL WIRE BUNDLES, IT SHOULD BE CUT OFF AND POSITIONED AS SHOWN BY DOTTED LINES.
- 3 TWO REQUIRED PER CONNECTOR.
- 4 STYLE II DOES NOT INCLUDE INSERT.
- 5. DETACHABLE INSERT MAY SEPARATE FROM STRAIN RELIEF BODY DURING SHIPPING.



(2 REQ'D) #6 x .375 LG. TYPE "B" PAN HEAD SHEET METAL SCREW 1



	WIRE BUNDLE
WITHOUT INSERT	MAX 2 @ .190 DIA
WITH INSERT	MIN 2 @ .040 DIA

UNLESS OTHERWISE SPECIFIED DIMENSIONS ARE IN INCHES.  
TOLERANCES ON:  
DECIMALS ± .015  
ANGLES

MATERIAL  
SEE TABLE

FINISH  
SEE TABLE

CONTRACT NO  
DR CERISMAN 10-25-78  
CHK D.S. Heide 11/1/78  
APPD J.C.M. 11-1-78  
APPD

DSGN APPD  
OTHER APPD

STYLE	MATERIAL	PART NO
II	NYLON 94V-0	640713-2
I	NYLON 94V-0	640713-1

**STE** TE Connectivity

NAME  
STRAIN RELIEF AND INSERT,  
2 CIRCUIT, UNIVERSAL MATE-N-LOK™

SIZE CODE IDENT NO DRAWING NO  
C 00779 640713

SCALE NTS SHEET 1 OF 1

D-0651E-2823 SW 2-

640713