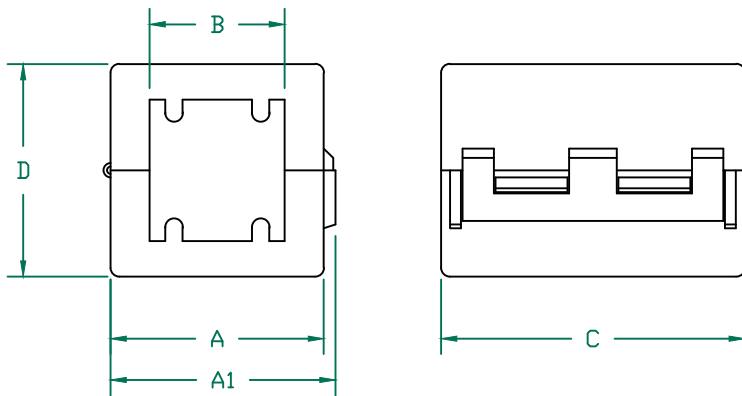


CORE (28A5776-000)

FERRITE CORE DIMENSIONS (SPEC): mm [in]

|   |               |   |             |
|---|---------------|---|-------------|
| A | 25.90 [1.020] | ± | 0.40 [.016] |
| B | 19.40 [.764]  | ± | 0.30 [.012] |
| C | 38.90 [1.53]  | ± | 0.40 [.016] |
| D | 13.00 [.512]  | ± | 0.30 [.012] |



CASE

CASE DIMENSIONS (SPEC): mm [in]

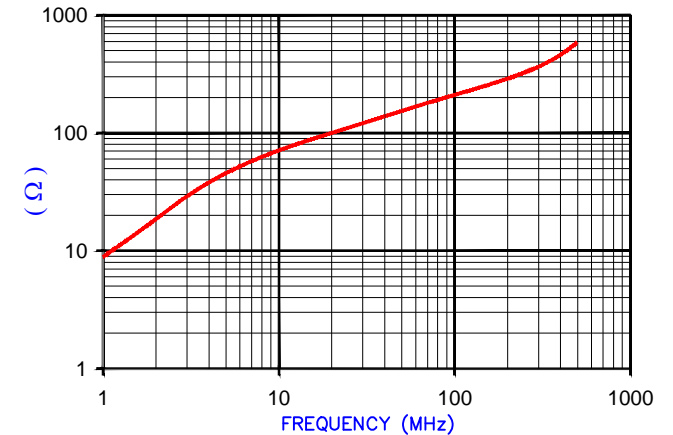
|    |               |   |             |
|----|---------------|---|-------------|
| A  | 29.20 [1.150] | ± | 0.59 [.023] |
| A1 | 30.80 [1.213] | ± | REF.        |
| B  | 20.00 [.787]  | ± | 0.39 [.015] |
| C  | 42.00 [1.654] | ± | 0.84 [.033] |
| D  | 29.40 [1.157] | ± | 0.59 [.023] |



**UNCONTROLLED DOCUMENT**

| IMPEDANCE (Z) |        |         |         |
|---------------|--------|---------|---------|
| Frequency     | 25 MHz | 100 MHz | 300 MHz |
| Nominal (REF) | 115 Ω  | 210 Ω   | 360 Ω   |
| Minimum       | - Ω    | 168 Ω   | - Ω     |

Z vs. FREQUENCY  
(REF. ONLY)



AGILENT E4991A Impedance/Material Analyzer  
HP 16092A-Test Fixture REF 3171

NOTES:

- CASE UL FLAMMABILITY RATING: 94 V-0
- ASSEMBLED PART #: 28A5776-0A2
- FOR CORE DIMENSIONS SEE STEWARD P/N 28A5776-000.
- CASE COLOR: -0A2 BLACK CASE.

| DIMENSIONS ARE IN mm [INCHES]. |   |          |      | This print is the property of Laird Tech. and is loaned in confidence subject to return upon request and with the understanding that no copies shall be made without the written consent of Laird Tech. All rights to design or invention are reserved. |  |  | <b>Laird</b> |              |           |
|--------------------------------|---|----------|------|---|--|--|--------------|--------------|-----------|
| J                              | UPDATE CASE DIM B   | 12/03/12 | Jcai | PROJECT/PART NUMBER:  |  |  | REV          | PART TYPE:   | DRAWN BY: |
| H                              | UPDATE COMPANY LOGO   | 06/11/10 | JUN  | 28A5776-0A2   |  |  | J            | FERRITE CORE | TMB       |
| G                              | UPDATE Z SPEC AND COMPANY LOGO  | 06/26/07 | JRK  | DATE: 10/25/01  |  |  | SCALE:       | NTS          | MATERIAL: |
| F                              | CHG Z SPECS@100 MHZ ADD TEST REF#<br>CHANGE P/N TO -0A2 REMOVE CASE     | 12/21/04 | JRK  | CAD # 28A5776-0A2-J   |  |  | TOOL #       | -            | FERRITE   |
| E                              | COLOR -0A0 REVISE NOTES 2, 4, & 5<br>CHANGE PRINT FORMAT CHANGE Z SPECS | 07/16/03 | TMB  |   |  |  |              |              |           |
| REV                            | DESCRIPTION   | DATE     | INT  |   |  |  |              |              |           |