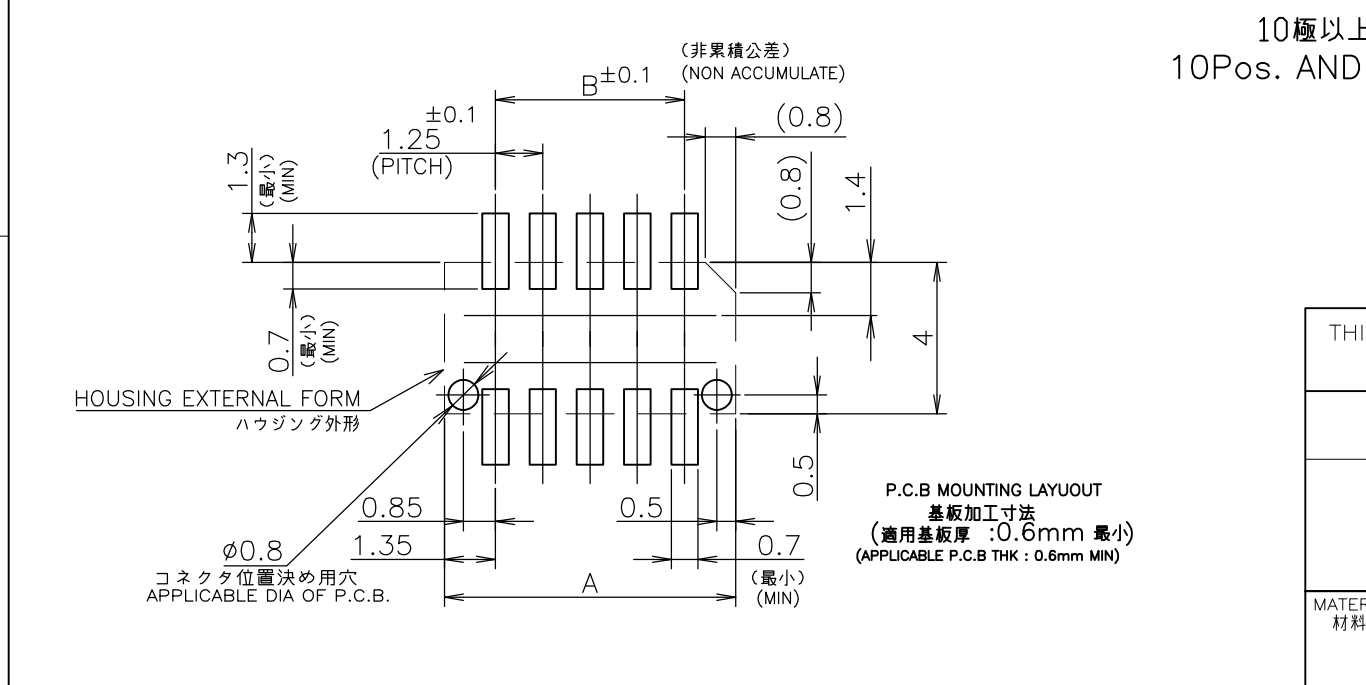
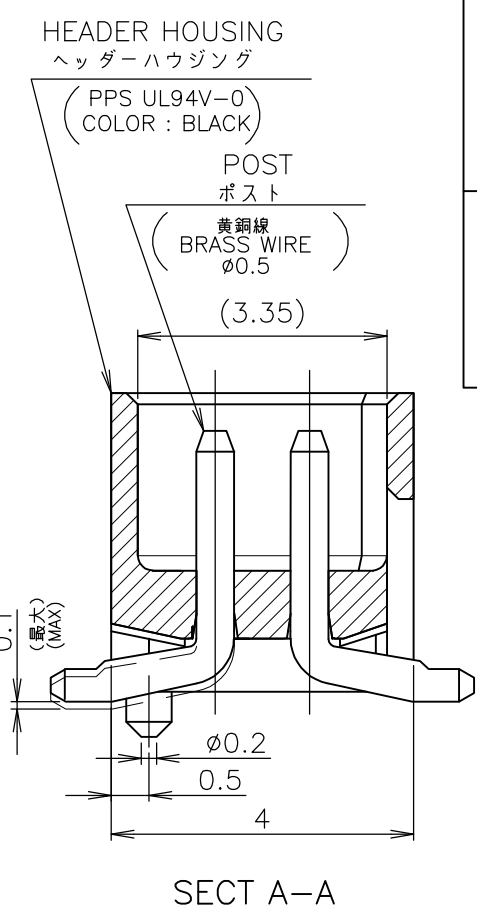
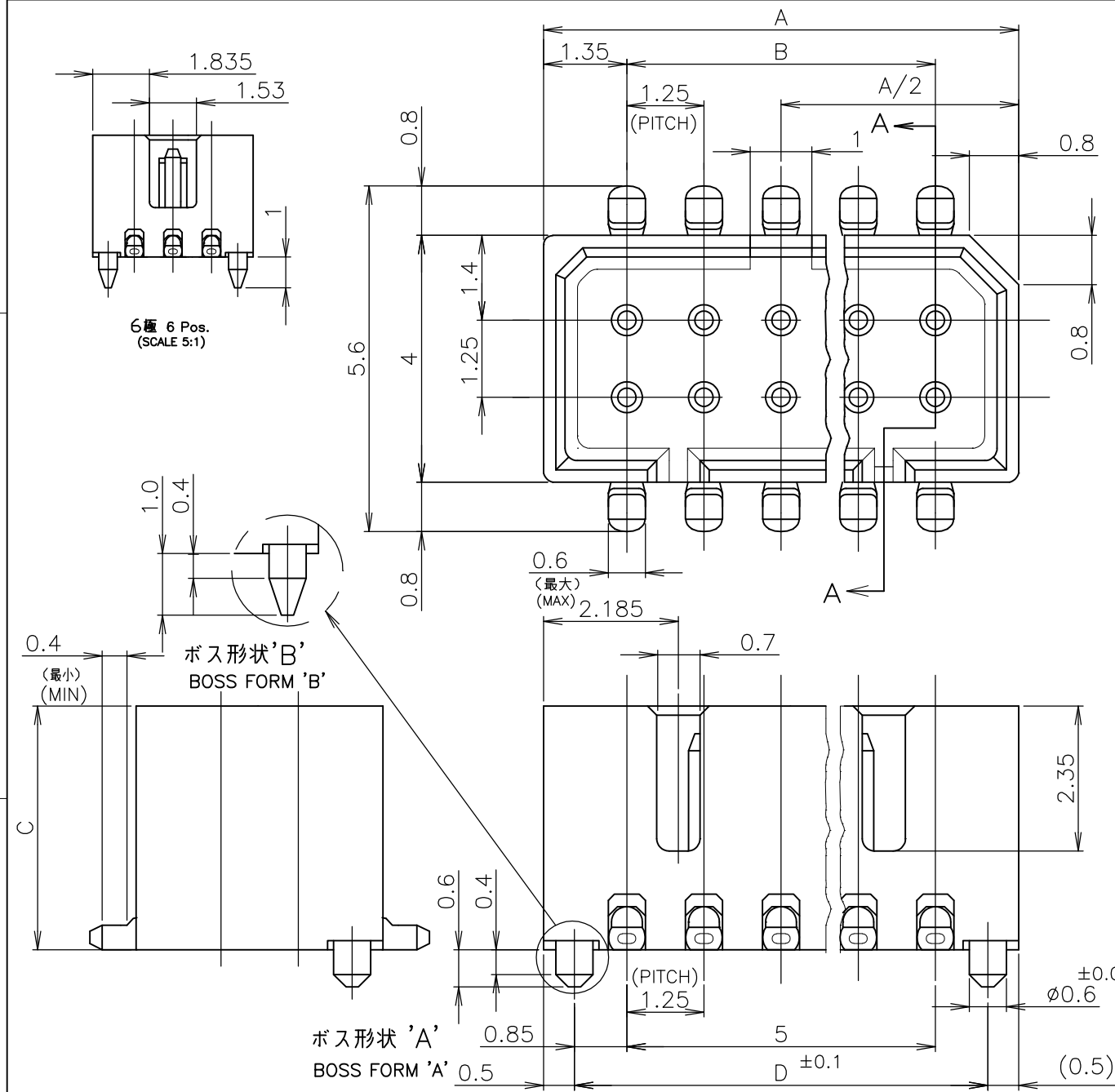


THIS DRAWING IS UNPUBLISHED. RELEASED FOR PUBLICATION
 © COPYRIGHT By - ALL RIGHTS RESERVED.

LOC	DIST	REVISIONS					
		P	LTR	DESCRIPTION	DATE	DWN	APVD
J		N1		REVISED PER ECO-11-005030	11MAR11	RK	HMR



注記 NOTE 1 嵌合相手製品型番及び、嵌合時寸法は MATING COUNTER PART NUMBER AND DIMENSIONS 表-1 参照のこと。 AFTER MATING: SEE TABLE 1.

仕上げ: 錫めっき(材料めっき)リフロー FINISH ; PLI-TIN REFLOW
 仕上げ: ニッケル下地錫めっき(後めっき) FINISH ; TIN PL. Ni UNDER PL. ALL OVER

嵌合時寸法: 巾(mm)x高さ(mm)
DIMENSIONS AFTER MATING : WIDTH(mm) x HEIGHT(mm)

DIP TYPE	MATING COUNTER コネクタ CONN RECE HDR ASSY	SMT TYPE X-174821-X ボス付 WITH BOSS		
		ハウジング 高さ C寸法 HOUSING HEIGHT C DIMENSIONS		
		3.95	5.45	5.95
V TYPE X-174635-X X-176870-X		5.6(巾W)x 5.0(高H)	5.6(巾W)x 6.5(高H)	5.6(巾W)x 7.0(高H)
	H TYPE X-174636-X X-176892-X	5.6(巾W)x 5.8(高H)	5.6(巾W)x 7.3(高H)	5.6(巾W)x 7.8(高H)
SMT TYPE	V TYPE ボス無 WITHOUT BOSS X-174904-X X-176768-X ボス付 WITH BOSS X-174639-X X-176311-X	5.6(巾W)x 5.0(高H)	5.6(巾W)x 6.5(高H)	5.6(巾W)x 7.0(高H)
	H TYPE ボス無 WITHOUT BOSS X-174905-X X-176893-X ボス付 WITH BOSS X-174640-X X-176490-X	5.6(巾W)x 6.9(高H)	5.6(巾W)x 7.9(高H)	5.6(巾W)x 8.9(高H)

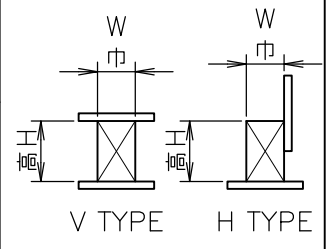


TABLE 1 表-1
SMT TYPEは、巾及び高さ寸法に SMT TYPE INCLUDE DIMENSIONS 半田付タイプ寸法を含みます。 OF SOLDER DIP TIME.

△3	'B'	10.45	↑	8.75	11.45	16	7-	↑	-6
△3	↑	7.95	5.95	6.25	8.95	12	7-		-2
△3		15.45	↑	13.75	16.45	24	5-		-4
△3		14.20		12.50	15.20	22	5-		-2
△3		12.95		11.25	13.95	20	5-		-0
△3		11.70		10.00	12.70	18	4-		-8
△3		10.45		8.75	11.45	16	4-		-6
△3	'A'	9.20		7.50	10.20	14	4-		-4
△3	↑	7.95		6.25	8.95	12	4-		-2
△3		6.70		5.00	7.70	10	4-		-0
△3	'B'	4.20	3.95	2.50	5.20	6	3-		-6
△3	'A'	12.95	↑	11.25	13.95	20	2-		-0
△3	'B'	10.45		8.75	11.45	16	1-		-6
△3	'A'	9.20	5.45	7.50	10.20	14	1-		-4
仕上げ FINISH	ボス形状 BOSS TYPE	D	C	B	A	極数 Pos.			型番 P/N

THIS DRAWING IS A CONTROLLED DOCUMENT.

DWN S.KANEKI 16JAN90
 CHK J.TANIGAWA 17JAN90
 APVD S.KUBOUCHI 17JAN90

STE TE Connectivity

1.25 F-P CONNECTOR (B-TO-B)
 DOUBLE ROW POST HDR ASSY SMT TYPE
 WITH BOSS

PRODUCT SPEC 108-5246
 APPLICATION SPEC 取付適用規格

SIZE A3 CAGE CODE 00779 DRAWING NO G-174821

MATERIAL 材料 4 FINISH 仕上 3

WEIGHT CUSTOMER DRAWING SCALE 10:1 SHEET 1 OF 1 REV N1