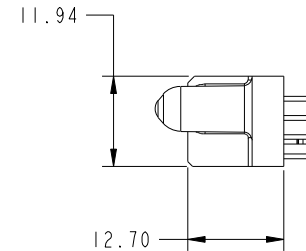
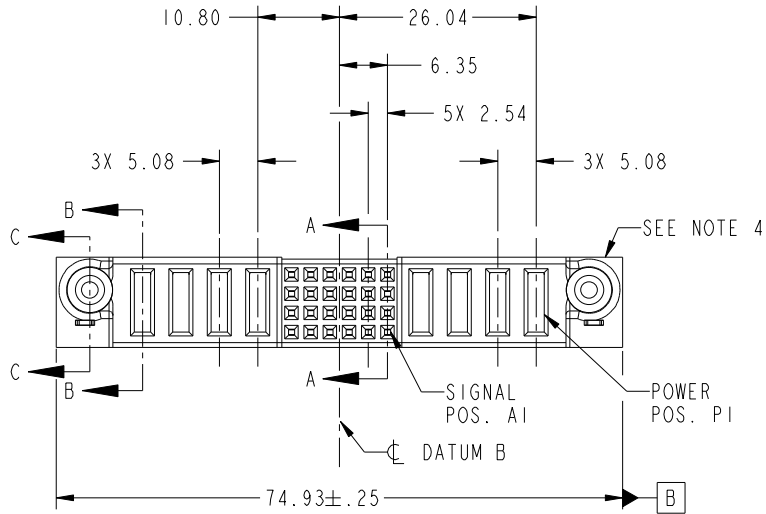


Tous droits strictement réservés. Reproduction ou communication a des tiers interdite sous quelque forme que ce soit sans autorisation écrite du propriétaire. Propriété de c.FCI. Droits de reproduction FCI.

All rights strictly reserved. Reproduction or issue to third parties in any form whatever is not permitted without written authority from the proprietor. Property of FCI. Copyright FCI.



PRODUCT NO.	ROWS	POWER				SIGNAL					POWER				E1		
		E2	P8	P7	P6	P5	6	5	4	3	2	1	P4	P3		P2	P1
51940-063-- NOTE: 3	D C B A																



CODE	DIM "M" MATING LENGTH	CONTACT TYPE
E	[N/A]	SIGNAL
PA	[1.07]	POWER
HA	[N/A]	HOLD-DOWN

mat'l code				SEE NTOE		tolerances unless otherwise specified		CUSTOMER		 www.fciconnect.com	
lir	ecn no.	dr	date	linear	0.X ± 0.5		COPY		title 4P + 24S + 4P VERTICAL SOLDER RECEPT		
A	V03-1169	TAB	10/28/03		0.XX ± 0.25		projection				
B	DG05-0162	SJ	06/15/05		0.XXX ± 0.10						
C	DG07-0498	JW	09/13/08	angles	0° ± 2°		 MM		product family		code
				dr	T. BRUNGARD	10/28/03	scale		PwrBlade		213
				enrg	M. GRAY	10/28/03	1:1		size		sheet
				chr	M. GRAY	10/28/03			A		1 of 4
				appd	M. GRAY	10/28/03			51940-063		
sheet index	revision sheet	C	C	C	C	C					
		1	2	3	4						

A

B

A

B

1 | 2

3 |

4

1 | 2

Pro/E

PDM: Rev: C

STATUS: Released

Printed: Dec 20, 2010

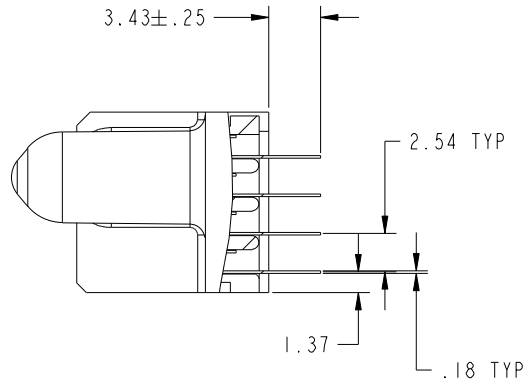
cage code 28556

Tous droits strictement réservés. Reproduction ou communication a des tiers interdite sous quelque forme que ce soit sans autorisation écrite du propriétaire. Propriété de c FCI. Droits de reproduction FCI.

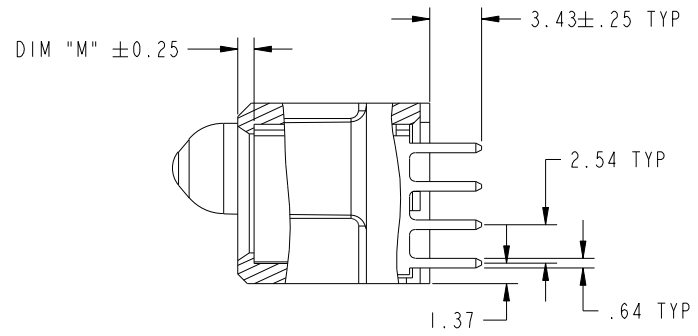
All rights strictly reserved. Reproduction or issue to third parties in any form whatever is not permitted without written authority from the proprietor. Property of FCI. Copyright FCI.



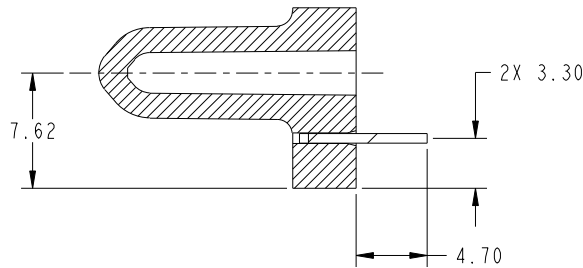
PRODUCT NUMBER
51940-063--
NOTE: 3



SECTION A-A
SCALE 2:1



SECTION B-B
SCALE 2:1



SECTION C-C
SCALE 2:1

mat'l code		SEE NOTE		tolerances unless otherwise specified		CUSTOMER		 www.fciconnect.com	
lfr	ecn no.	dr	date	linear	0.X ± 0.5	COPY		title	
C					0.XX ± 0.25	projection		4P + 24S + 4P VERTICAL SOLDER RECEPT	
				angles	0.XXX ± 0.10			product family	
					0° ± 2°			PwrBlade	
				dr	T. BRUNGARD 10/28/03	scale		size	code
				enrg	M. GRAY 10/28/03	1:1		dwg no	213
				chr	M. GRAY 10/28/03			A	sheet
				appd	M. GRAY 10/28/03				51940-063
sheet index	revision sheet								

A

A

B

B

1 | 2

3 |

4

1 | 2

Pro/E

PDM: Rev: C

STATUS: Released

Printed: Dec 20, 2010

cage code 2856

Tous droits strictement reserves. Reproduction ou communication a des tiers interdite sous quelque forme que ce soit sans autorisation ecrite du proprietaire. Propriete de c.FCI. Droits de reproduction FCI.

All rights strictly reserved. Reproduction or issue to third parties in any form whatever is not permitted without written authority from the proprietor. Property of FCI. Copyright FCI.

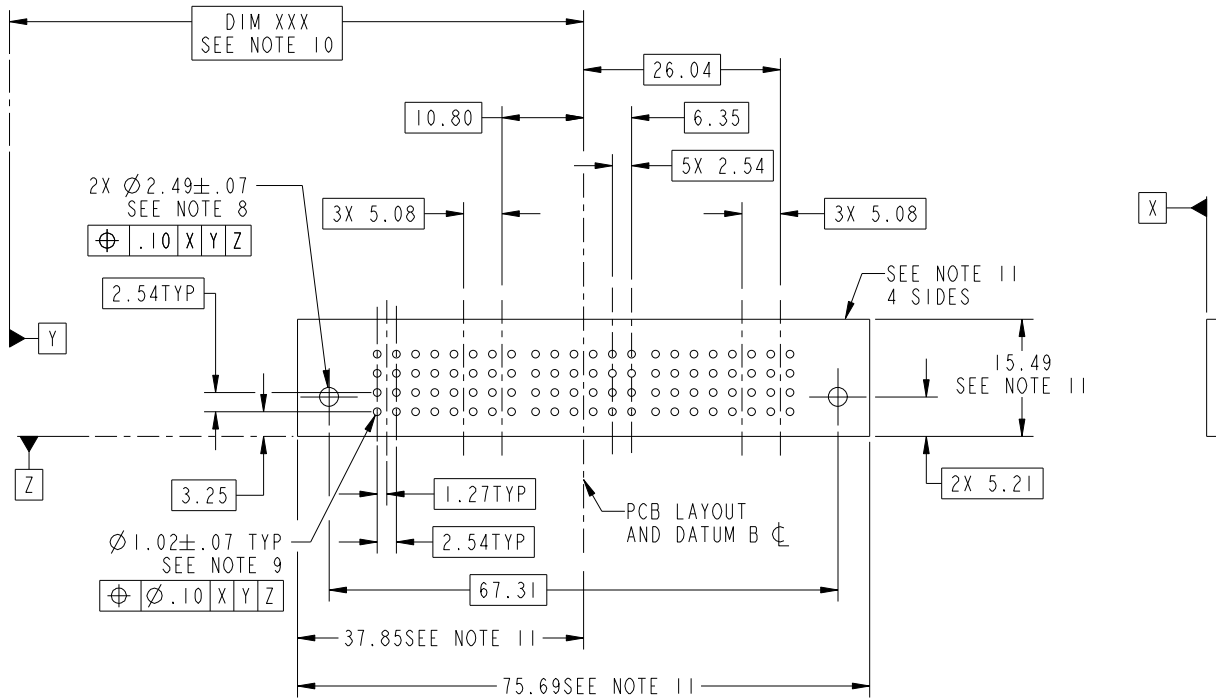


1 | 2

3 |

4

PRODUCT NUMBER
51940-063--
NOTE: 3



mat'l code		SEE NOTE		tolerances unless otherwise specified		CUSTOMER		www.fciconnect.com	
lir	ecn no.	dr	date	linear	$0.X \pm 0.5$	COPY		title	
C				linear	$0.XX \pm 0.25$	projection		4P + 24S + 4P VERTICAL SOLDER RECEPT	
				angles	$0.XXX \pm 0.10$			product family PwrBlade code 213	
				dr	$0^\circ \pm 2^\circ$	MM		size dwg no	
				enr	T. BRUNGARD 10/28/03	scale		A 51940-063 sheet 3	
				chr	M. GRAY 10/28/03	1:1			
				appd	M. GRAY 10/28/03				
sheet index	revision sheet								

1 | 2

Pro/E

PDM: Rev: C

STATUS: Released

Printed: Dec 20, 2010

Tous droits strictement réservés. Reproduction ou communication a des tiers interdite sous quelque forme que ce soit sans autorisation écrite du propriétaire. Propriété de c.FCI. Droits de reproduction FCI.

All rights strictly reserved. Reproduction or issue to third parties in any form whatever is not permitted without written authority from the proprietor. Property of FCI. Copyright FCI.



1 | 2

3 |

4

PRODUCT NUMBER

51940-063--
NOTE: 3

NOTES:

1. DIMENSIONS AND TOLERANCES ARE IN ACCORDANCE WITH ASME Y14.5M, 1994 UNLESS OTHERWISE SPECIFIED.

CONNECTOR NOTES:

② HOUSING MATERIAL: UL 94 V-0 GLASS FILLED
HIGH-TEMP THERMOPLASTIC
POWER CONTACT MATERIAL: COPPER ALLOY
SIGNAL PIN MATERIAL: COPPER ALLOY

3. PLATING:
⚠ SEE ITEM 5 & 6 IN PRINT 10064183 FOR PLATING SPEC OF 51940-063; 51940-063LF RESPECTIVELY.

④ MANUFACTURER'S NAME, P/N, AND DATE CODE TO APPEAR ON THIS SURFACE.

5. PRODUCT SPECIFICATION GS-12-149.
APPLICATION SPECIFICATION BUS-20-067.

6. PACKAGED IN TRAYS.

PCB NOTES:

7. ALL HOLE DIAMETERS ARE FINISHED HOLE SIZE.

⑧ MOUNTING HOLES, WHERE APPLICABLE, ARE UNPLATED.

⑨ $\varnothing 1.151 \pm 0.025$ DRILLED HOLES PLATED WITH 0.008 MIN SnPb OR Sn OVER 0.03 TO 0.08 Cu PLATING TO ACHIEVE $\varnothing 1.02 \pm 0.07$ HOLE.

⑩ "DIM XXX" TO BE DETERMINED BY THE CUSTOMER.

⑪ CONNECTOR KEEP-OUT ZONE.

12 A ⚠ SYMBOL WILL BE NEXT TO ANY DIMENSION, VIEW, OR NOTE WHICH HAS BEEN MODIFIED WITH THE CURRENT DRAWING REVISION.

mat'l code				SEE NOTE		tolerances unless otherwise specified		CUSTOMER		www.fciconnect.com	
lir	ecm no.	dr	date	linear	0.X ±0.5		COPY			title	
C					0.XX ±0.25		projection			4P + 24S + 4P	
					0.XXX ±0.10					VERTICAL SOLDER RECEPT	
				angles	0° ±2°				product family		
				dr	T. BRUNGARD	10/28/03			PwrBlade		
				enrg	M. GRAY	10/28/03			code	213	
				chr	M. GRAY	10/28/03			size	dwg no	
				appd	M. GRAY	10/28/03			A	51940-063	
sheet index		revision sheet		scale		1:1		sheet		4	

A

A

B

B

1 | 2

Pro/E

PDM: Rev: C

STATUS: Released

Printed: Dec 20, 2010

cage code 2856

4