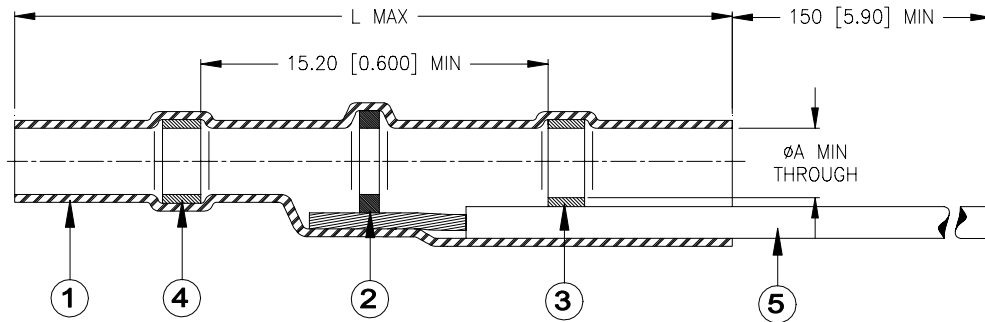


SPECIFICATION CONTROL DRAWING



*Product Revision		Product Dimensions		Cable Dimensions			Qty: Item 2
Product Name		ØA min	L max	ØD max	ØE min	ØF min	
B-155-3803-WX	---	2.7 [0.105]	42.0 [1.655]	2.7 [0.105]	1.8 [0.070]	1.3 [0.050]	1
B-155-3805-WX	---	4.5 [0.180]	42.0 [1.655]	4.5 [0.180]	2.3 [0.090]	1.8 [0.070]	1
B-155-3806-WX	---	6.0 [0.235]	42.0 [1.655]	6.0 [0.235]	3.3 [0.130]	2.8 [0.110]	1
B-155-3807-WX	---	7.0 [0.275]	42.0 [1.655]	7.0 [0.275]	3.7 [0.145]	3.2 [0.125]	1
B-155-3809-WX	---	8.7 [0.340]	42.0 [1.655]	8.7 [0.340]	4.2 [0.165]	3.7 [0.145]	2
B-155-3811-WX	---	10.7 [0.420]	41.5 [1.630]	10.7 [0.420]	7.1 [0.280]	6.6 [0.260]	2

*Consult Tyco Electronics for individual product revision. Contains more than 1 part name.

MATERIALS

- INSULATION SLEEVE: Heat-shrinkable, transparent clear, radiation cross-linked modified polyolefin.
- SOLDER PREFORM WITH FLUX. Qty: see table (one solder washer shown).
 SOLDER: TYPE Sn42Bi58 per ANSI / J-STD-006.
 FLUX: TYPE ROM1 per ANSI / J-STD-004.
- MELTABLE RING: Thermally stabilized thermoplastic. Color: clear.
- MELTABLE RING: Thermally stabilized thermoplastic. Color: blue.
- GROUND LEAD: W1/W2: Raychem 35C0211 tin-plated copper; W4/W5: MIL-W-81822/13 solid silver-plated copper.

Part number:

B-155-38XX-WX

→ Ground lead type:

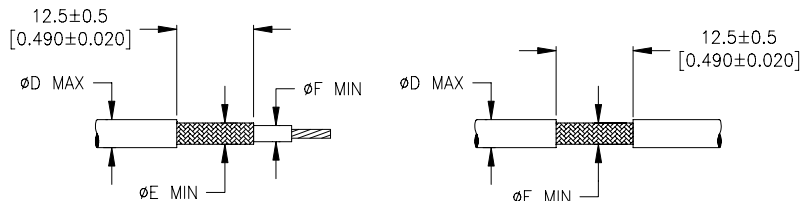
- W1: AWG22, color -white.
- W2: AWG22, color -green.
- W4: AWG26, color -white.
- W5: AWG26, color -blue.

→ Sizes: from 03 to 11.

APPLICATION

- These controlled soldering devices are designed for termination of bare or tin-plated copper shield on a cable, rated for at least +85°C and meeting the dimensional criteria listed in the table above.
- Temperature range: -55°C to +125°C.
- When installed properly, it will meet the performance requirements of Tyco Electronics / Raychem Specification RT-1404.
- For installation procedure and application equipment, consult RPIP-824-00.

For best results, prepare the cable as shown:



		Tyco Electronics Corporation 300 Constitution Drive, Menlo Park, CA. 94025, U.S.A.				TITLE: SOLDERSLEEVE ONE-STEP SHIELD TERMINATION WITH PRE-INSTALLED LEAD, LOW TEMPERATURE	
Unless otherwise specified dimensions are in millimeters. [Inches dimensions are shown in brackets]				DOCUMENT NO.: B-155-38XX-WX			
TOLERANCES: 0.00 N/A 0.0 N/A 0 N/A		ANGLES: N/A ROUGHNESS IN MICRON		Tyco Electronics reserves the right to amend this drawing at any time. Users should evaluate the suitability of the product for their application.		PROD. REV.: SEE TABLE	
PREPARED BY: mforonda		DCR NUMBER: D050254		REPLACES: ---		DATE: 12-Jul-05	
CAGE CODE: 06090		SCALE: ---		SIZE: A		SHEET: 1 of 1	

© 2005 Tyco Electronics Corporation. All rights reserved.
 If this document is printed it becomes uncontrolled. Check for the latest revision.