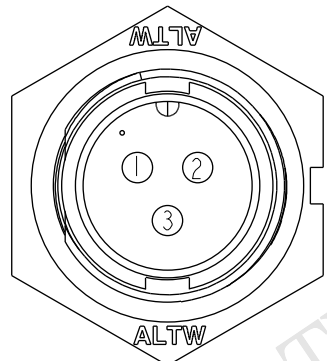
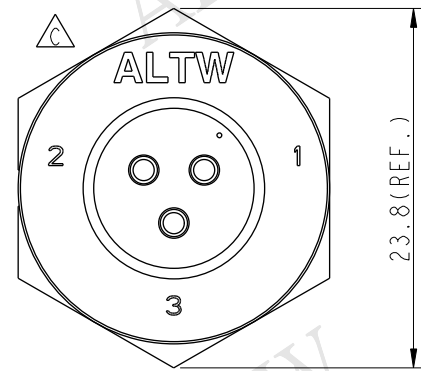
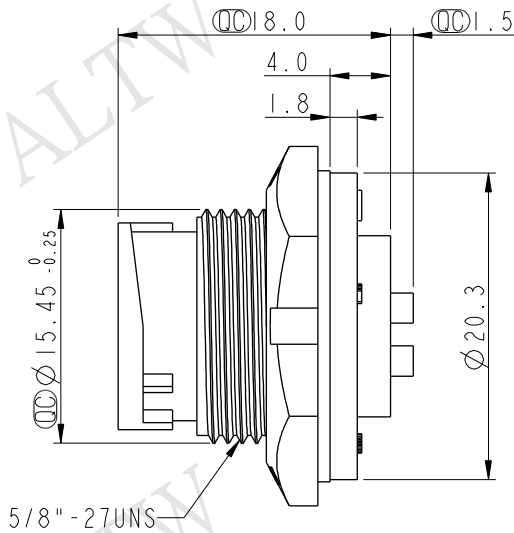
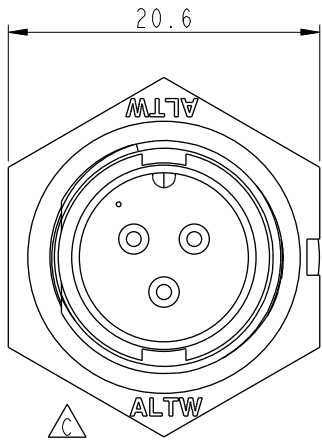


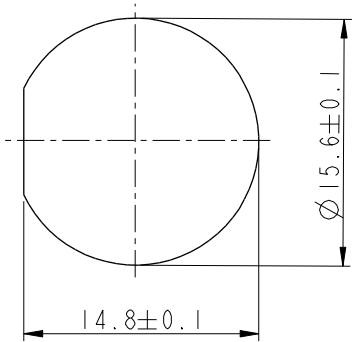
REV.	ECN NO.	DATE	SIGN	DESCRIPTION
B	LEN-8B0370	2008/09/17	Shin	Add Note
C	LEN1590274	2015/09/01	Vicky	Update Logo

ALTW
CONFIDENTIAL
2015-09-01
R&D DEPT.

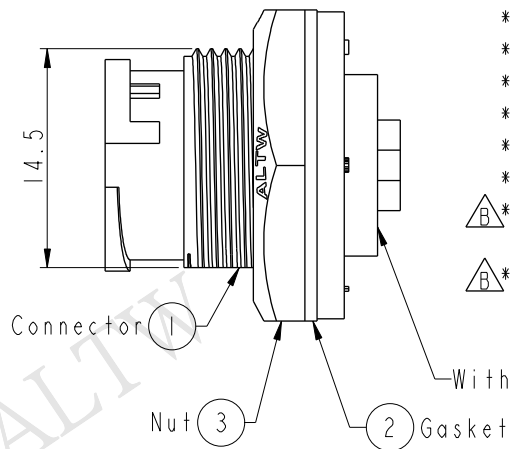
ALTW
DCC. DEPT.
CONFIDENTIAL
2015.09.18
ISSUED



Pin Assignments
Front View



Recommended Panel Cut-out



Note:

- * \varnothing Important Dimension To Check.
- * Waterproof Rate: IP67
- * Housing: Nylon+GF, Black
- * Male Pin: Copper Alloy, Gold Plated
- * Nut: Nylon+GF, Black
- * Gasket: EPDM, Black
- \triangle * Use With Waterproof Cap Or Dust Cap
Panel Thickness Max: 3.0mm
- \triangle * Use Without Waterproof Cap Or Dust Cap
Panel Thickness Max: 4.5mm

UNIT: mm		
TOLERANCE	.X ±0.25	
.XX ±0.1		
.XXX ±0.05		
ANGLES	±1°	

TITLE Standard Panel Lock 3Pin M Conn M Pin			
SCALE 2:1	SIZE A4	SHEET 1 OF 1	
REV. C	WC-REV. A.2	\varnothing : Inspection item	

Amphenol LTW
安費諾亮泰企業股份有限公司

ITEM NO. BD-03PMMS-LC7001	DRAWN BY Vicky	DATE 2015-09-01
DWG NO. BD-03PMMS-LC7001	CHECKED BY Rita	DATE 2015-09-01
CUSTOMER ALTW	APPROVED BY Lion	DATE 2015-09-01

THIS DOCUMENT IS SUBJECT TO CHANGE WITHOUT NOTICE. IT IS CONFIDENTIAL AND A PROPERTY OF AMPHENOL LTW. DISCLOSURE TO THIRD PARTY HAS TO BE AUTHORIZED BY AMPHENOL LTW.