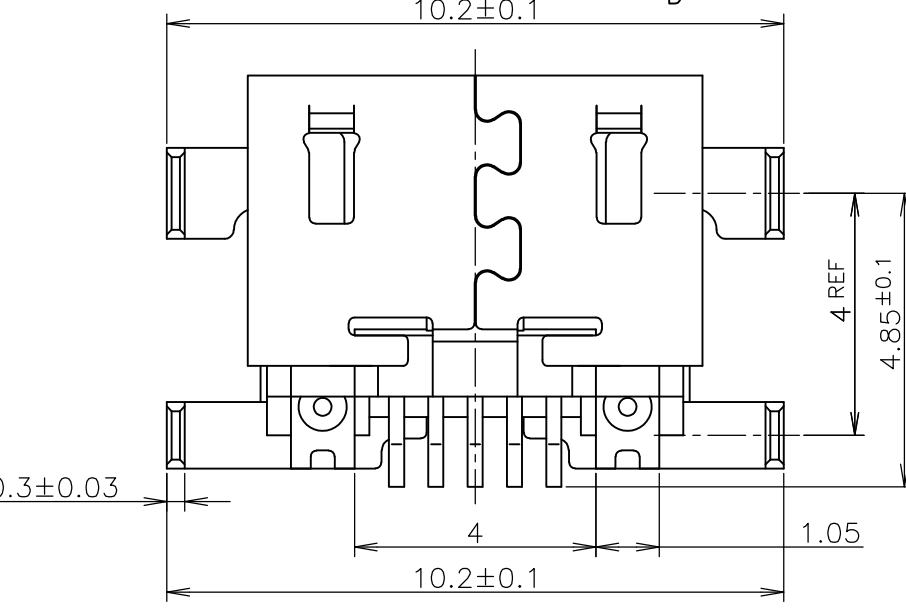
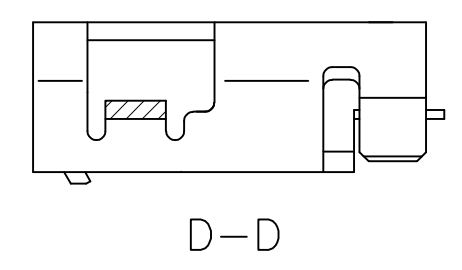
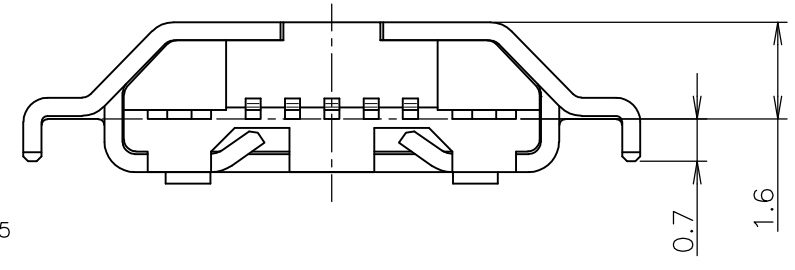
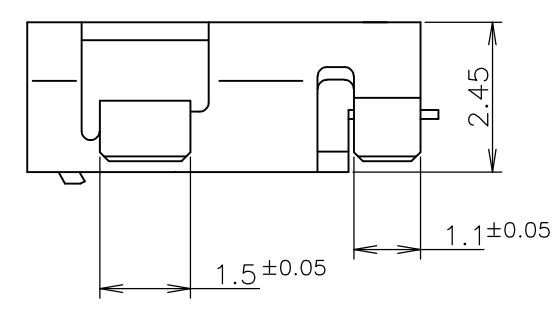
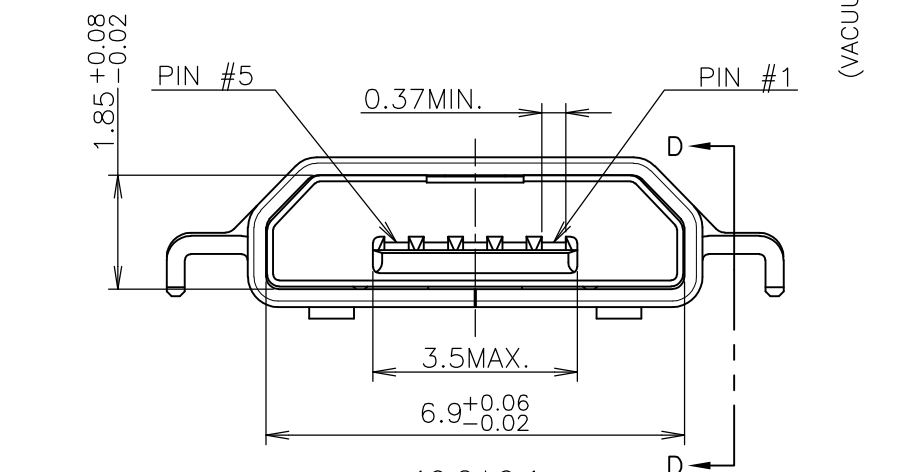
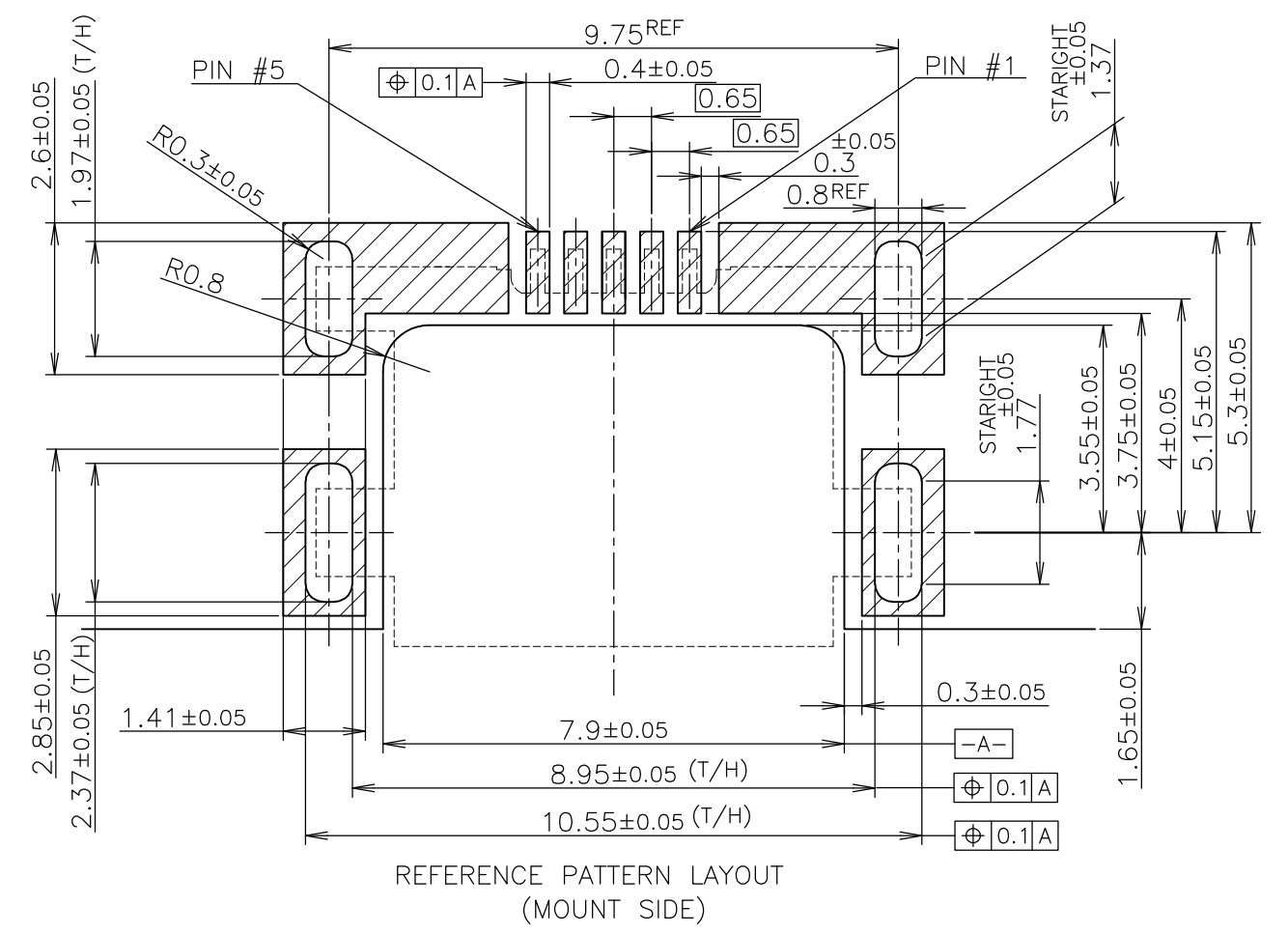
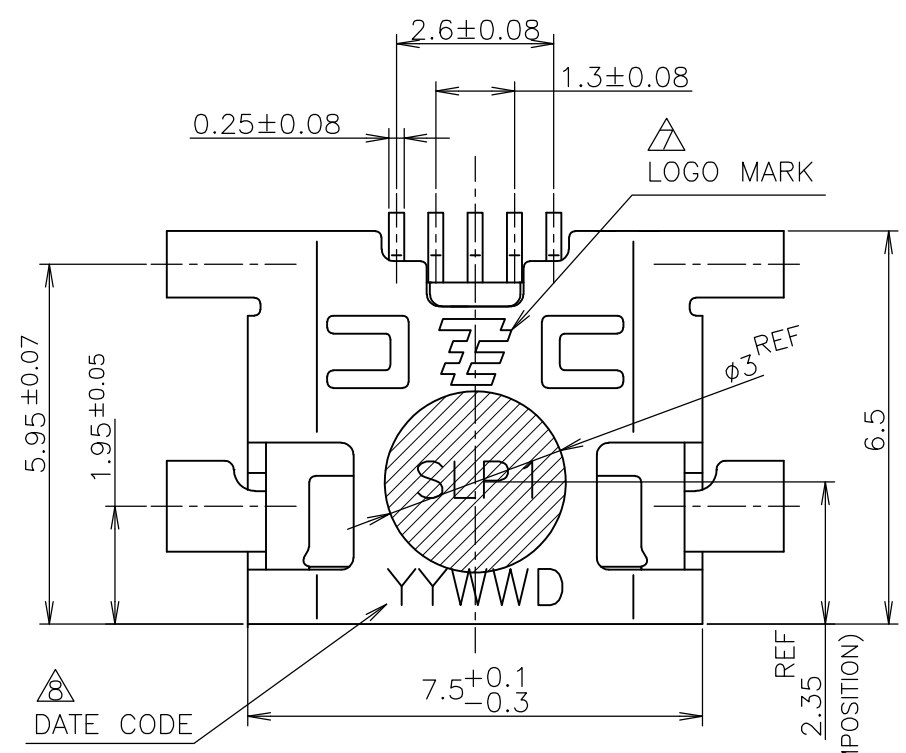


THIS DRAWING IS UNPUBLISHED. RELEASED FOR PUBLICATION JUL ,2011.  
 © COPYRIGHT 2011 By Tyco Electronics Japan G.K. ALL RIGHTS RESERVED.

LOC	DIST	REVISIONS					
J	/	P	LTR	DESCRIPTION	DATE	DWN	APVD
		A	RELEASED		25JUL2011	C.O	T.K

- 1 GENERAL TOLERANCE: ±0.3
- 2 CONTACT TINE COPLANALITY; 0.08mm MAX
- ③ MATERIAL HOUSING: THERMO PLASTIC RESIN  
CONTACT: COPPER ALLOY  
SHELL: STAINLESS STEEL
- ④ FINISH  
CONTACT; Ni UNDER PLATING ALL OVER  
Au PLATING ON SOLDERING AREA  
Au PLATING ON CONTACT AREA  
SHELL; Ni UNDER PLATING ALL OVER  
Sn PLATING ALL OVER
- 5 PREVENTION OF WRENCHING  
PLEASE HOLD THE TOP AND THE SIDE OF CONNECTOR BY THE CASE.
- 6 PREVENTION OF HITTING DURING PLUG INSERTION  
PLEASE SET THE INSERTION GUIDE ALONG THE MATING SURFACE.
- △ LOGO MARK
- ⑧ DATE CODE: YYWWD  
(YEAR, WEEK, DAY)  
SLP1 (SHIFT, LINE, P1: REVISION CODE)

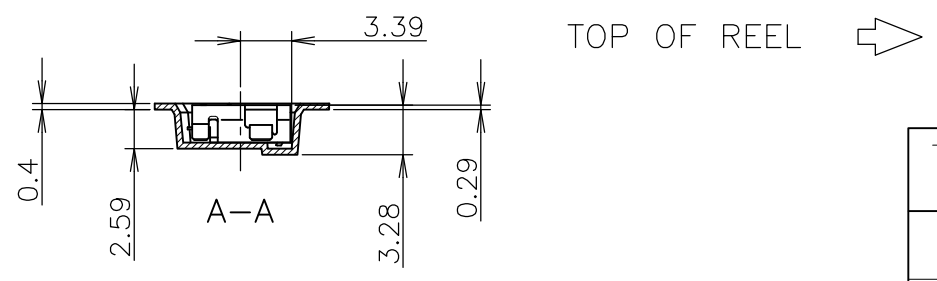
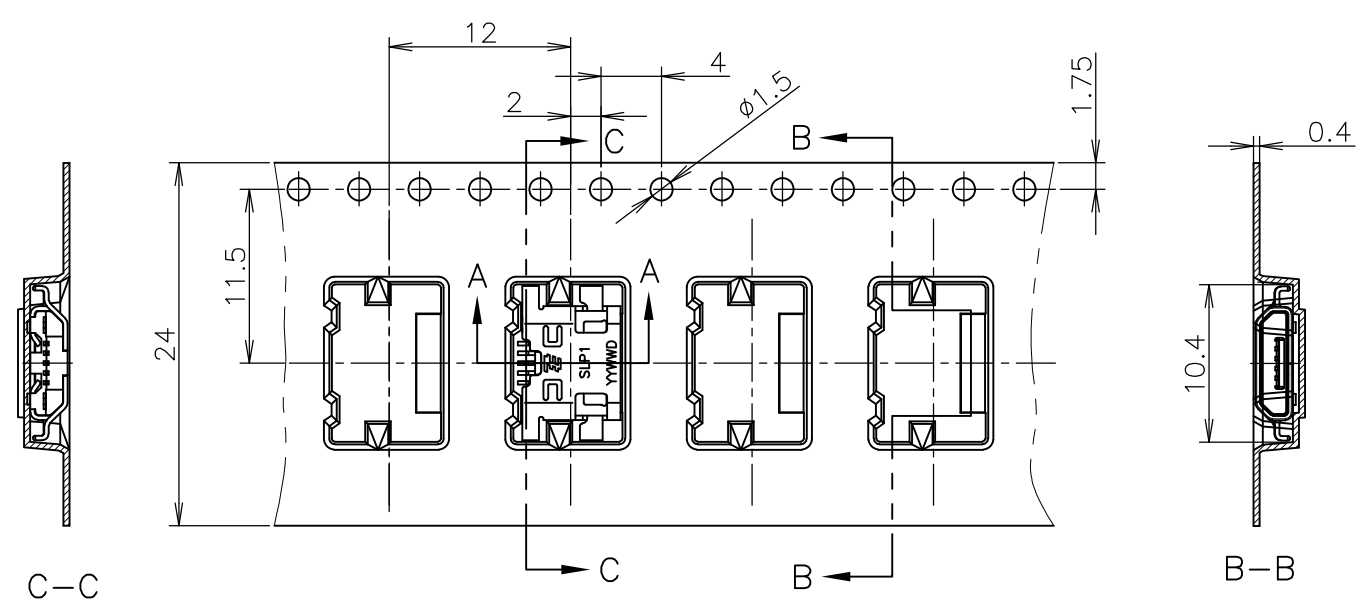
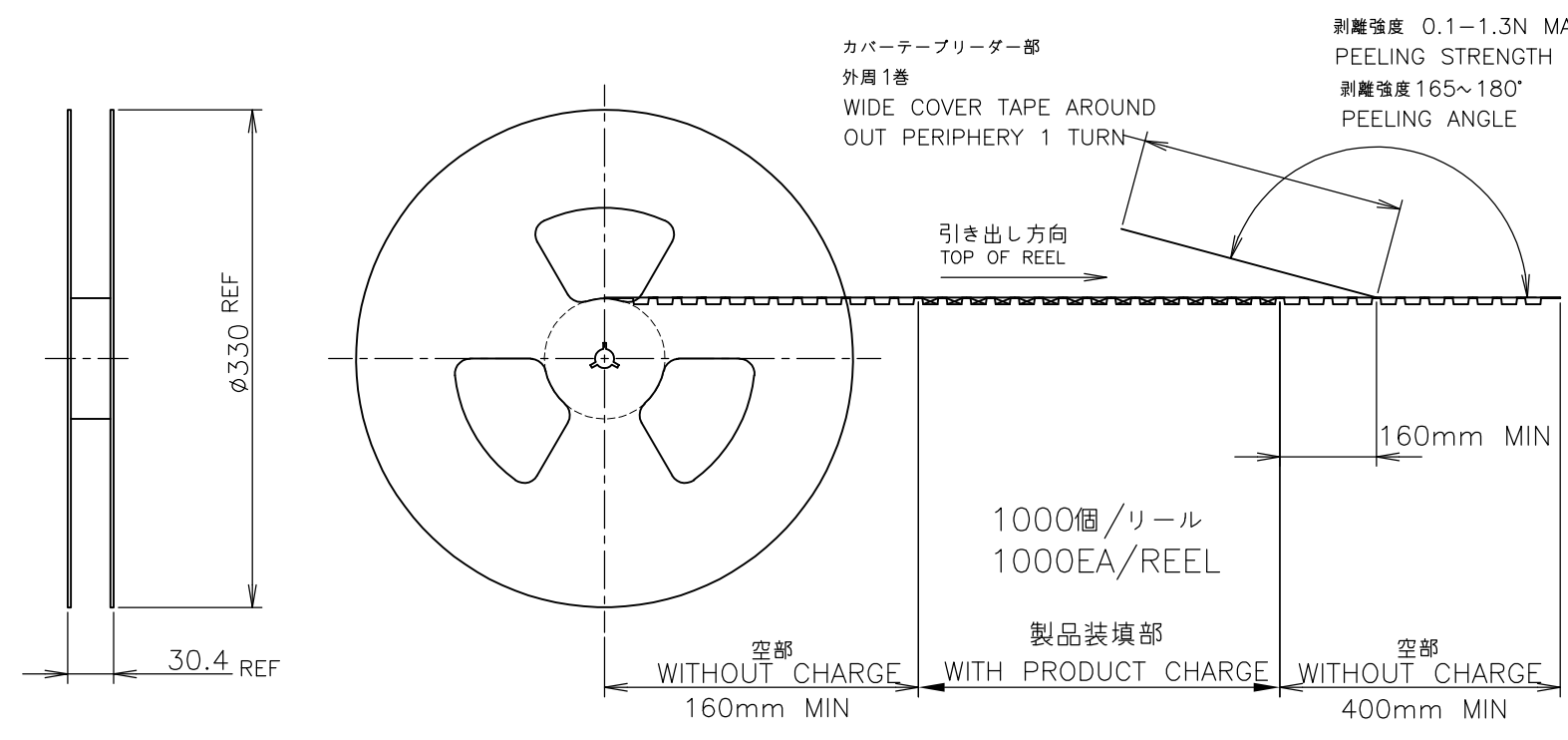


WITH	2134441-2
LASER WELDING	PARTS NUMBER

THIS DRAWING IS A CONTROLLED DOCUMENT.		DWN	C.OHASHI	25JUL2011	 TE Connectivity	MICRO USB CONNECTOR		
DIMENSIONS: 単位: 耗 mm		CHK	A.KUBO	25JUL2011		MID-MOUNT DIP, FLANGELESS		
TOLERANCES UNLESS OTHERWISE SPECIFIED: 一般公差		APVD	T.KUSUHARA	25JUL2011		REVERSE TYPE		
0 PLC ± 0.3 1 PLC ± 0.3 2 PLC ± 0.3 3 PLC ± 0.3 4 PLC ± 0.3 ANGLES ± 3°		NAME	T.KUSUHARA			SIZE	A3	
MATERIAL 材料		PRODUCT SPEC	108-78434		CAGE CODE	00779	DRAWING NO	C-2134441
FINISH 仕上		APPLICATION SPEC	取付適用規格		RESTRICTED TO	-		
③		WEIGHT	-		SCALE	8:1	SHEET	1 OF 2
④		CUSTOMER DRAWING		REV	A			

THIS DRAWING IS UNPUBLISHED. RELEASED FOR PUBLICATION JUL ,2011.  
 © COPYRIGHT 2011 By Tyco Electronics Japan G.K. ALL RIGHTS RESERVED.

LOC	DIST	REVISIONS		
J	/	P	LTR	DESCRIPTION
				DATE
				DWN
				APVD
				—
				—
				—



THIS DRAWING IS A CONTROLLED DOCUMENT.		DWN	<b>STE</b> TE Connectivity	
DIMENSIONS: 単位: 耗 mm		CHK		
TOLERANCES UNLESS OTHERWISE SPECIFIED: 一般公差		APVD	NAME 名称	
0 PLC ± 0.3		PRODUCT SPEC 製品規格	MICRO USB CONNECTOR MID-MOUNT DIP, FLANGELESS REVERSE TYPE	
1 PLC ± 0.3		APPLICATION SPEC 取付適用規格	SIZE	CAGE CODE
2 PLC ± 0.3		WEIGHT	A3	00779
3 PLC ± 0.3			DRAWING NO 番号	RESTRICTED TO
4 PLC ± 0.3			G-2134441	—
ANGLES ± 3'				
MATERIAL 材料	FINISH 仕上	CUSTOMER DRAWING		SCALE 尺度 NTS
		SHEET 2 OF 2		REV A