

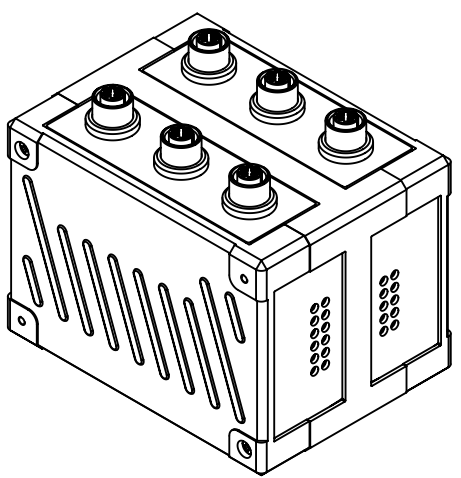
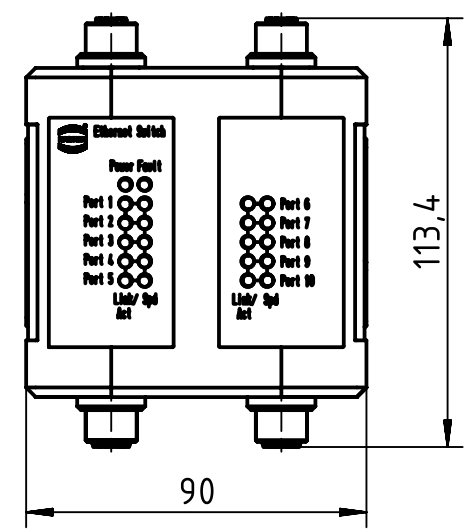
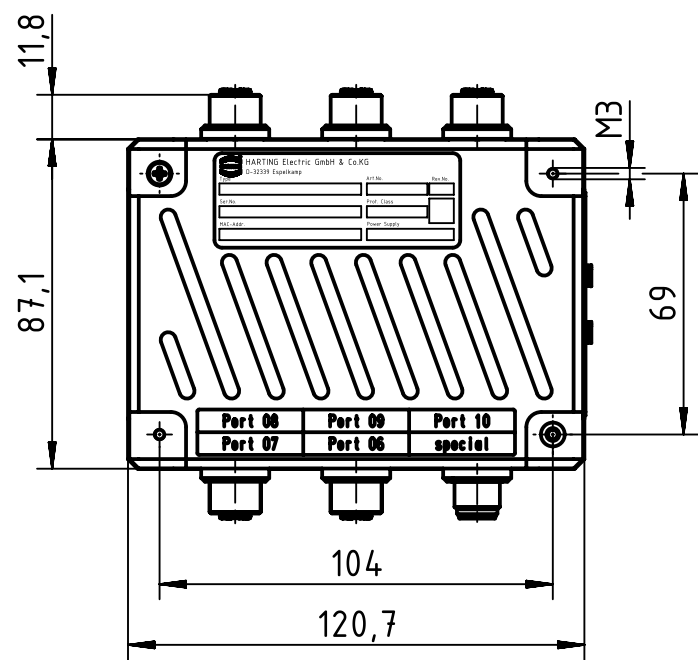
1 2 3 4 5 6

A

B

C

D



	All rights reserved Department EL PD - DE	All Dimensions in mm Original Size DIN A4		Scale 1:2	Free size tol.	Ref. Sub. TB 20 70 310 3942 v. 21.04.09		
		HARTING Electric GmbH & Co. KG D-32339 Espelkamp	Created by ILJIN	Inspected by LOETKEMANN	Standardisation TIEMANNA	Date 2013-07-30	State Final Release	
				Title Ha-VIS eCon 7100-B1			Doc-Key / ECM-Nr. 100175823/UGD/004/A 500000064671	
				Type TB	Number 20 70 310 3942		Rev. A	Page 1/1