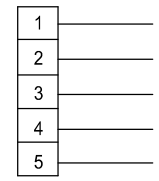
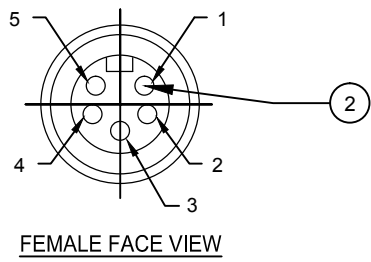
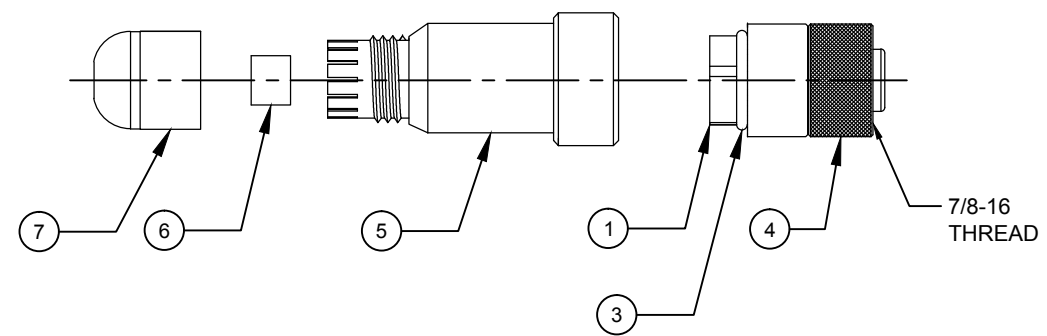
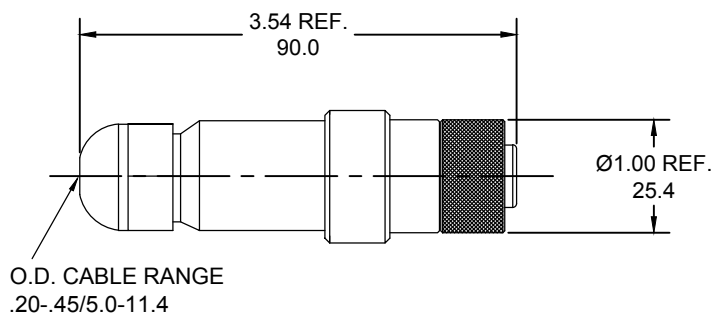
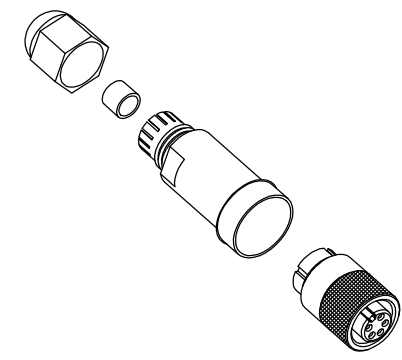


| MATERIAL NUMBER | OLD PART NUMBER | COUPLING NUT MATERIAL | COUPLING NUT FINISH |
|-----------------|-----------------|-----------------------|---------------------|
| 1300170023 | 1A5000-34 | BRASS | NICKEL PLATED |
| 1300170024 | 1A5000-348 | STAINLESS STEEL | PASSIVATED |



| | |
|------------------------------|--------------------------------|
| VOLTAGE RATING PER UL 2238 | 600VAC/VDC |
| VOLTAGE RATING PER IEC 60664 | 400V |
| AMPERAGE RATING | 8AMPS |
| PROTECTION | IP67 (WHEN MATED) |
| OPERATING TEMPERATURE | -20°C TO 80°C |
| CSA CERTIFICATIONS | CSA CERTIFIED, FILE NO. LR6837 |

| ITEM | COMPONENT | MATERIAL | FINISH |
|------|----------------|--------------|-------------|
| 1 | INSERT | NYLON | BLACK |
| 2 | CONTACTS | COPPER ALLOY | GOLD PLATED |
| 3 | O-RING | NITRILE | BLACK |
| 4 | COUPLING NUT | SEE CHART | SEE CHART |
| 5 | MOLDED BODY | NYLON | BLACK |
| 6 | GROMMET | NITRILE | BLACK |
| 7 | CORD GRIP BODY | NYLON | BLACK |

| | |
|------------------------|----------------|
| ADD IEC VOLTAGE RATING | 5/1/17 |
| EC NO: IPC2017-1018 | DRWN: RSTONE |
| | CHKD: M ZIELIN |
| | APPR: BWOODMAN |
| REV | |
| C1 | |

| QUALITY SYMBOLS |
|-----------------|
| ▽=0 |
| ▽=0 |

| GENERAL TOLERANCES (UNLESS SPECIFIED) | |
|--|------|
| | INCH |
| 4 PLACES | ±--- |
| 3 PLACES | ±--- |
| 2 PLACES | ±--- |
| 1 PLACE | ±--- |
| ANGULAR ±---° | |
| DRAFT WHERE APPLICABLE MUST REMAIN WITHIN DIMENSIONS | |

| DIMENSION STYLE | |
|-----------------|------------|
| IN/MM | |
| DRAWN BY | DATE |
| RSTONE | 2013/05/09 |
| CHECKED BY | DATE |
| BW | 2013/05/14 |
| APPROVED BY | DATE |
| --- | --- |
| MATERIAL NO. | |
| SEE CHART | |
| SIZE | |
| A | |

| SCALE | DESIGN UNITS | THIRD ANGLE PROJECTION |
|---|--------------|------------------------|
| --- | INCH | ☉ |
| TITLE | | |
| MC FIELD ATTACHABLE 5P .20-.45 OD CABLE RANGE | | |
| Molex | | |
| MOLEX INCORPORATED | | |
| DOCUMENT NO. | | SHEET NO. |
| SD-130017-001 | | 1 OF 1 |
| THIS DRAWING CONTAINS INFORMATION THAT IS PROPRIETARY TO MOLEX INCORPORATED AND SHOULD NOT BE USED WITHOUT WRITTEN PERMISSION | | |