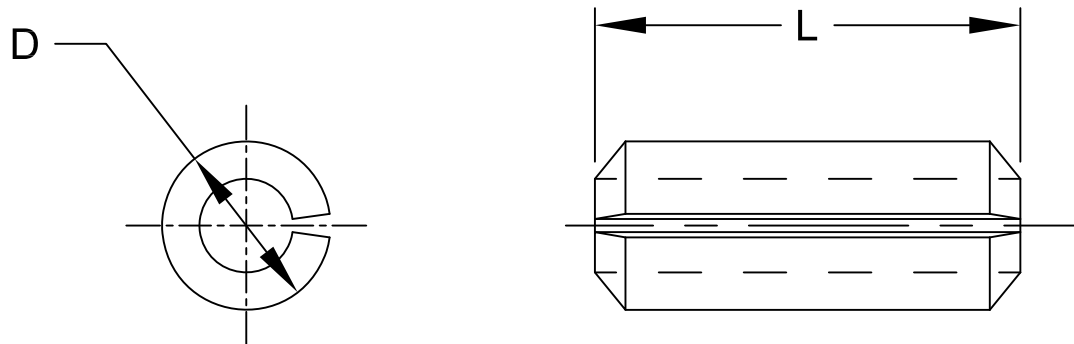




REV.	DESCRIPTION	DATE	APPROVED
B	Engineering Update w/o Changes	02/27/04	M. C.
C	Updated Material	11/11/08	M. C.
D	Tolerance Update	04/22/09	T. Y.



PART NO.	L ±0.015	D ±0.010
RP-250	1/4 (6.4mm)	3/32 (2.4mm)
RP-312	5/16 (8.0mm)	3/32 (2.4mm)
RP-375	3/8 (9.5mm)	1/8 (3.2mm)

STANDARD TOLERANCE (UNLESS OTHERWISE SPECIFIED)		 BIVAR [®] 4 THOMAS, IRVINE, CA. 92618 TEL: (949) 951-8808 FAX: (949) 951-3974	
DECIMALS	ANGULAR		
.X ±.1	X° ± 1°		TITLE: STAINLESS STEEL ROLL PIN
.XX ±.01			DESIGNED: Michael Chen
.XXX ±.005			DATE: 08/02/02
CHECKED: S. Irving	DATE: 08/02/02	PART NO: RP-XXX	REVISION: D
		CAGE CODE : 32559	SHEET # 1 OF 1
CAD GENERATED DOCUMENT. DO NOT MEASURE DRAWING.			

1. STAINLESS STEEL 302