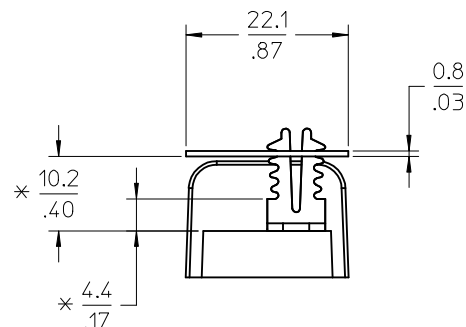
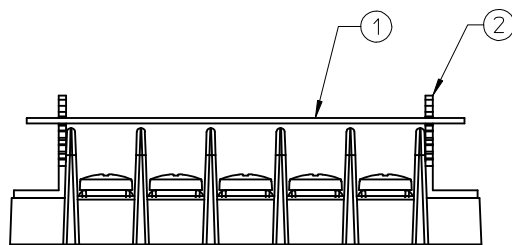
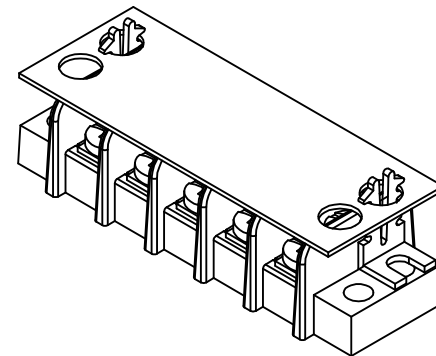
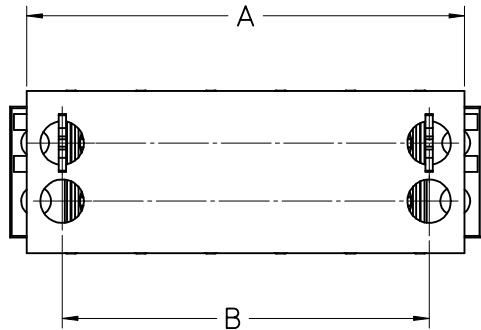


NO. OF CIRC.	DIM A		DIM B		KIT MAT #
	MM	INCH	MM	INCH	
2	31.0	1.22	21.3	0.84	387736402
3	40.4	1.59	30.9	1.21	387736403
4	50.0	1.97	40.4	1.59	387736404
5	59.4	2.34	49.9	1.96	387736405
6	69.0	2.72	59.4	2.34	387736406
7	78.5	3.09	69.0	2.71	387736407
8	88.0	3.47	78.5	3.09	387736408
9	97.5	3.84	88.0	3.46	387736409
10	107.1	4.22	97.5	3.84	387736410
11	116.6	4.59	107.1	4.21	387736411
12	126.1	4.97	116.6	4.59	387736412
13	135.6	5.34	126.1	4.96	387736413
14	145.2	5.72	135.6	5.34	387736414
15	154.7	6.09	145.2	5.71	387736415
16	164.2	6.47	154.7	6.09	387736416
17	173.7	6.84	164.2	6.46	387736417
18	183.3	7.22	173.7	6.84	387736418
19	192.8	7.59	183.3	7.21	387736419
20	202.3	7.97	192.8	7.59	387736420
21	211.8	8.34	202.3	7.96	387736421
22	221.4	8.72	211.8	8.34	387736422
23	231.0	9.09	221.4	8.71	387736423
24	240.4	9.47	230.9	9.09	387736424
25	250.0	9.84	240.4	9.46	387736425
26	259.5	10.22	249.9	9.84	387736426
27	269.0	10.59	259.5	10.21	387736427
28	278.5	10.97	269.0	10.59	387736428
29	288.0	11.34	278.5	10.96	387736429
30	297.6	11.72	288.0	11.34	387736430



REF. 387600105 SHOWN

NOTES:

1. MATERIAL: SEE TABLE
2. FINISHES: SEE TABLE
3. PRODUCT SPECIFICATION: NOT REQUIRED
4. PARTS SUPPLIED UNASSEMBLED
5. MATES WITH: 14, 76 AND 77 SERIES BTS
6. ( \* ) DIMENSIONS INDICATE MAX. AND MIN. COVER HEIGHT
7. ROHS COMPLIANT

ITEM	QTY.	DESCRIPTION	MATERIAL	FINISH
2	2	COVER CLIPS	ACETAL	NATURAL
1	1	BTS COVER	VULCANIZED FIBER	BLACK

REVISED MOUNTING EC NO: IPG2017-0803 DR: WNRSTONE 2017/02/23 CHYKDB RUPERT 2017/02/27 APPR: BWOODMAN 2017/03/08 B	QUALITY SYMBOLS	GENERAL TOLERANCES (UNLESS SPECIFIED)	DIMENSION STYLE	SCALE	DESIGN UNITS	THIRD ANGLE PROJECTION
	$\nabla=0$ $\sphericalangle=0$	4 PLACES ± --- ± --- 3 PLACES ± --- ± .005 2 PLACES ± 0.13 ± .01 1 PLACE ± 0.3 ± --- ANGULAR ± 2 °	MM/IN	2:1	INCH	
		DRAFT WHERE APPLICABLE MUST REMAIN WITHIN DIMENSIONS	DRAWN BY J. ENCINAS DATE 2009/03/25 CHECKED BY C. YORK DATE 2009/03/26 APPROVED BY J. MACNEIL DATE 2009/03/27	TITLE BTS COVER KIT, FLAT		
			MATERIAL NO. SEE CHART MOLEX INCORPORATED DOCUMENT NO. SD-38773-001 SHEET NO. 1 OF 1			