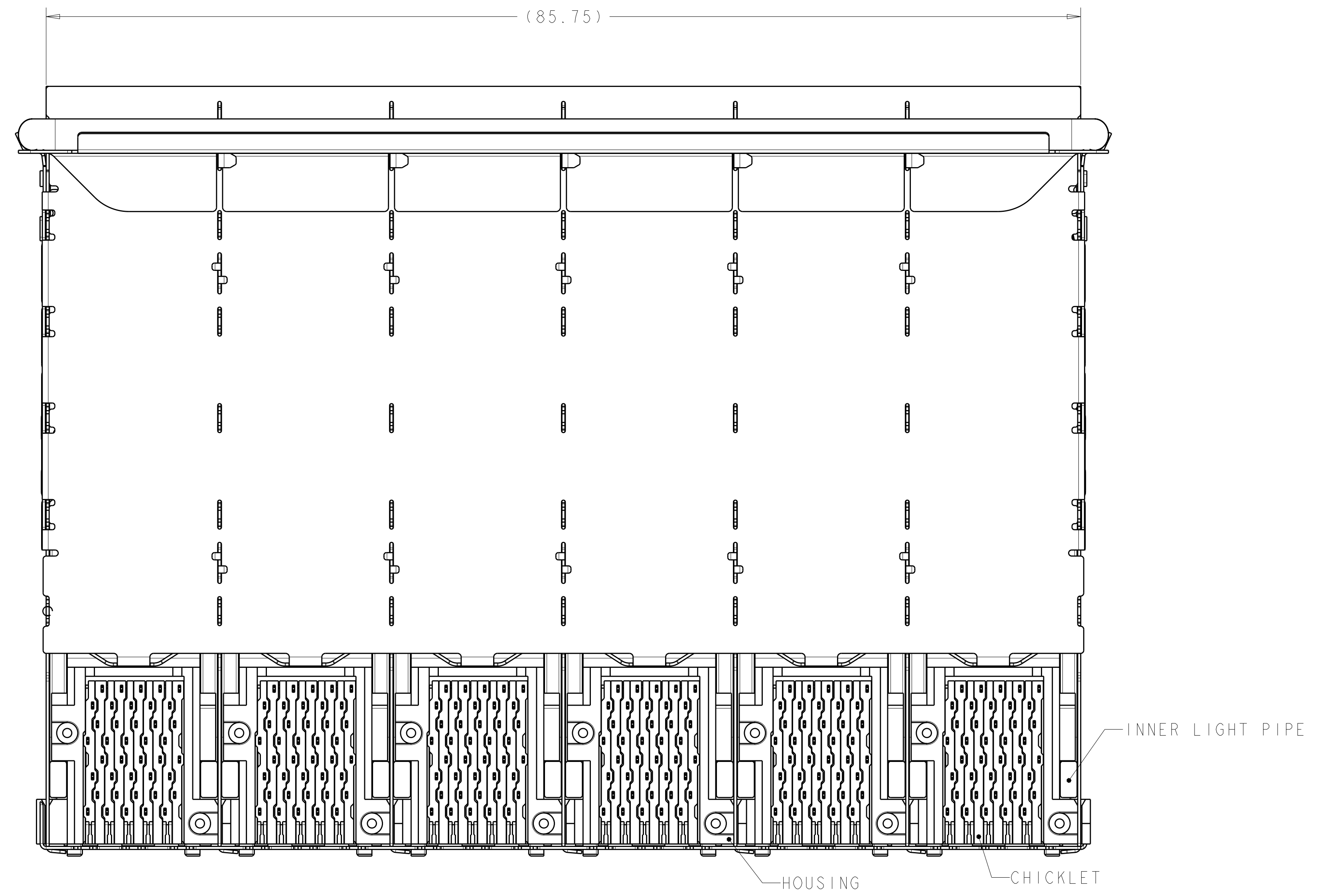
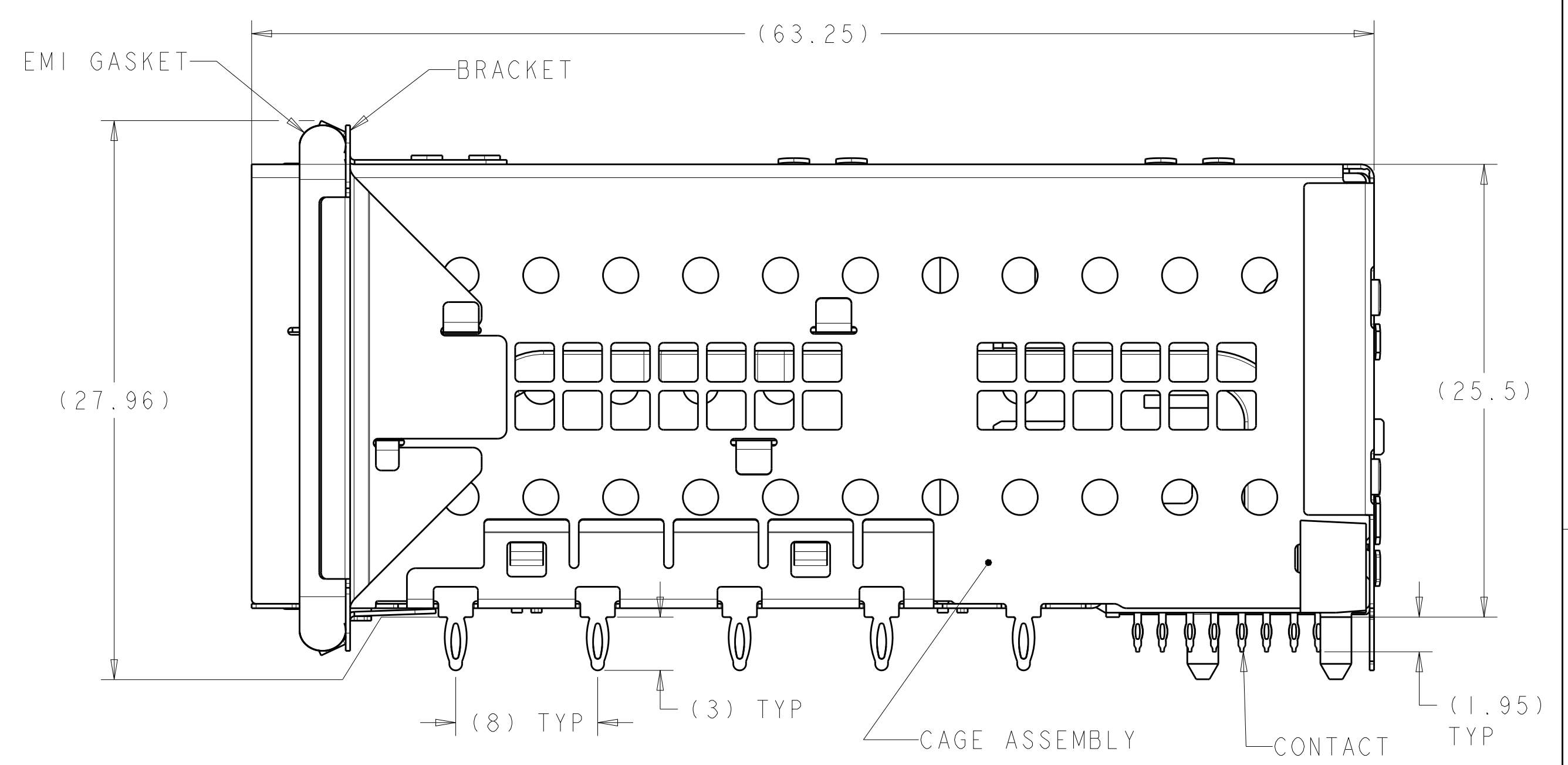
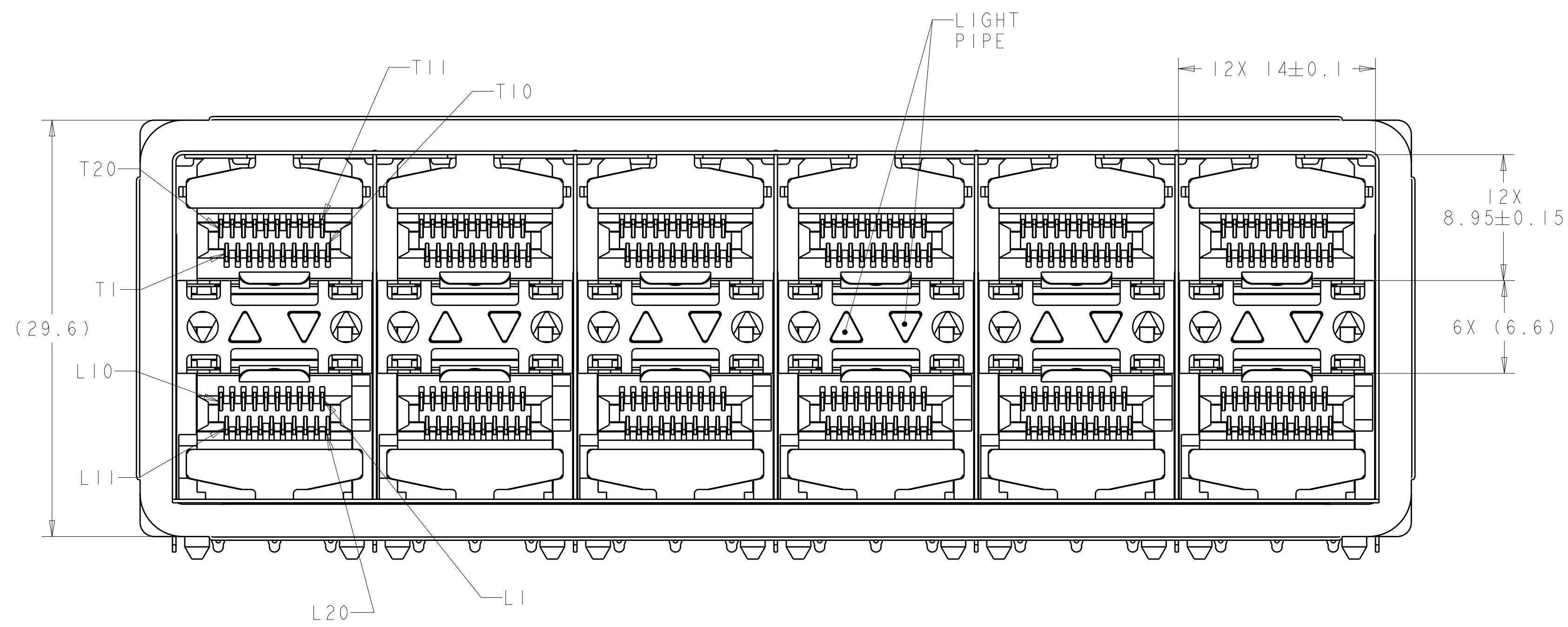


LOC		DIST		REVISONS			
GP	00	P	LTN	DESCRIPTION	DATE	DMN	APVD
		A		REVISED PER ECO-15-017922	31MAR2016	AP	RP

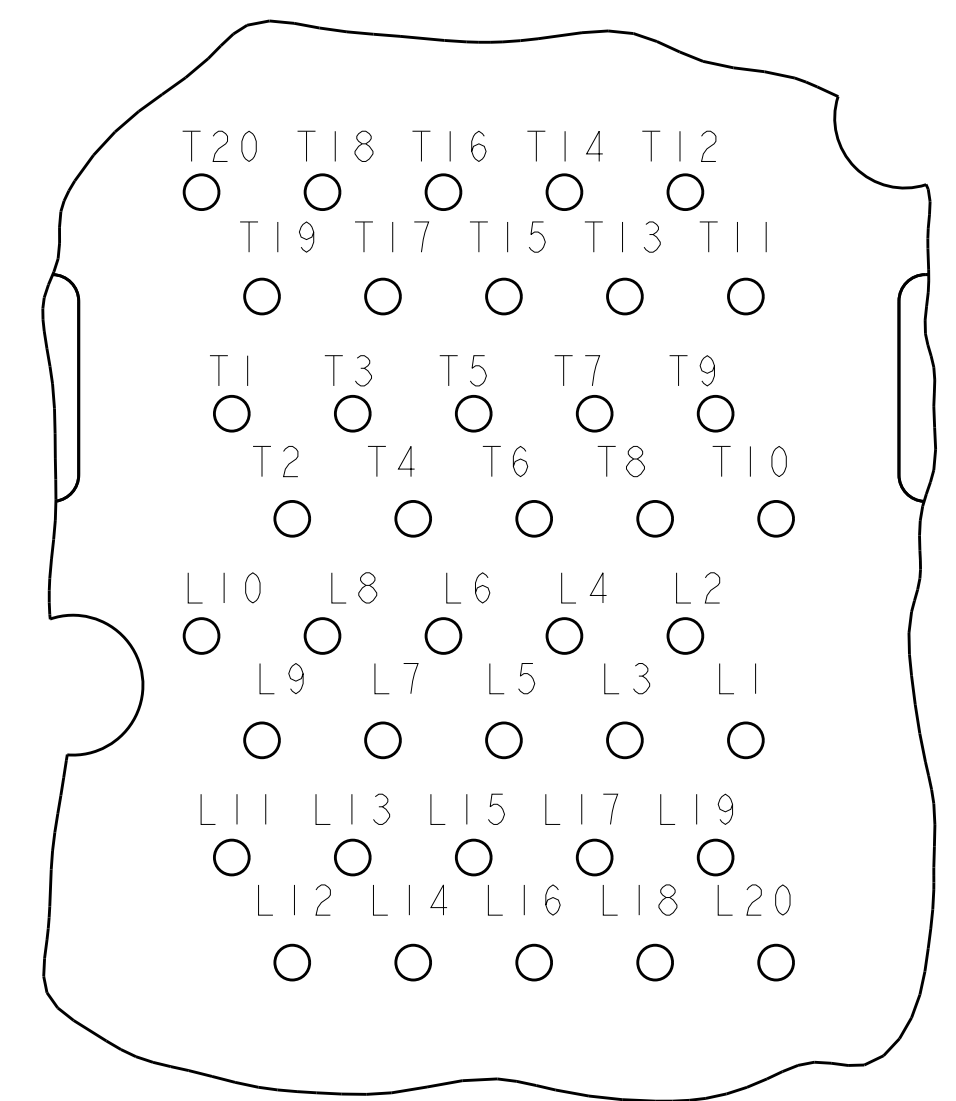
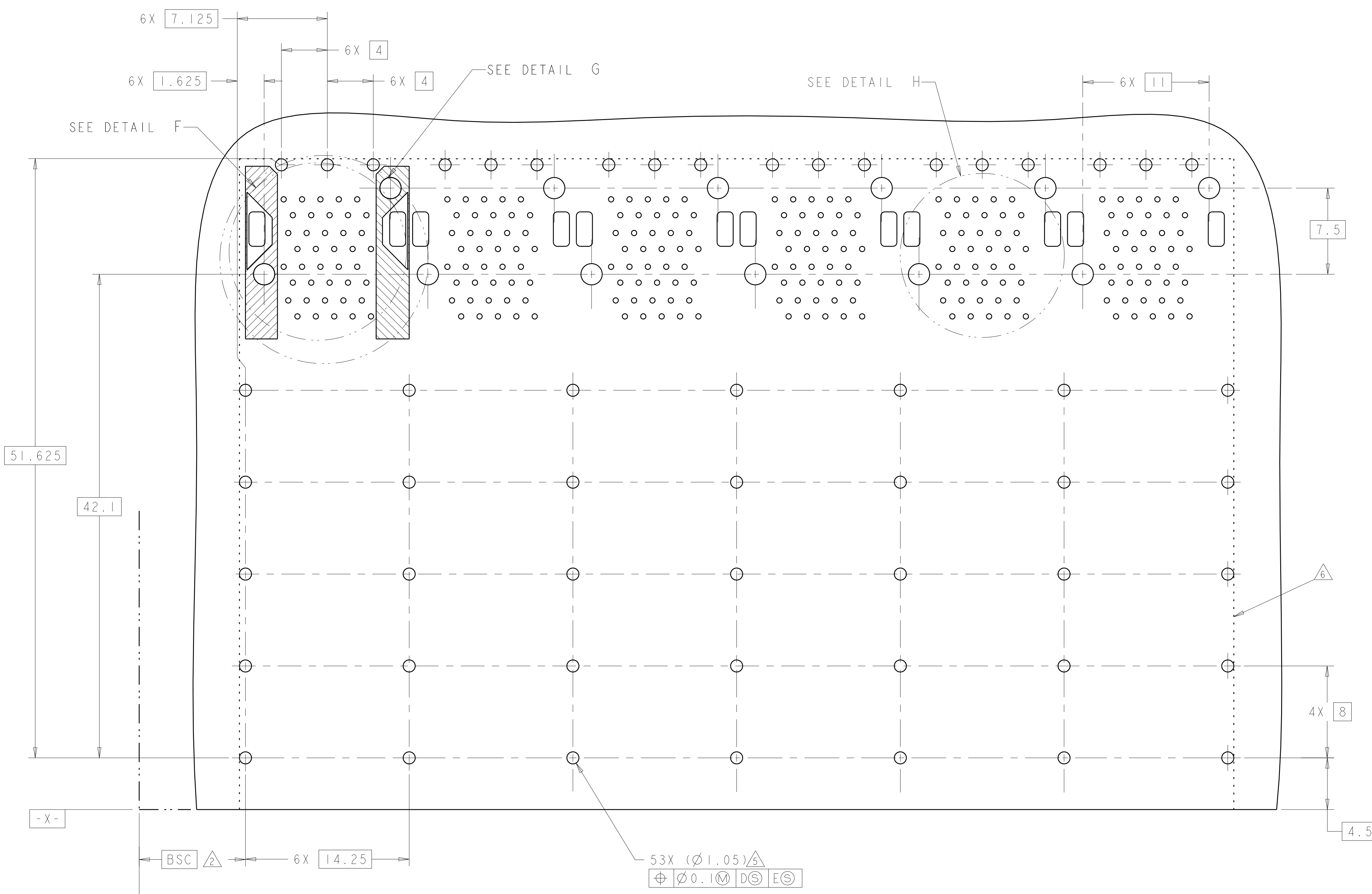


- 1 MATERIALS:
 CAGE ASSEMBLY- NICKEL SILVER ALLOY PER ASTM B 122.
 BRACKET- STAINLESS STEEL.
 EMI GASKET- PLATED FILLED SILICONE.
 HOUSING- BLACK LCP, UL 94V-0 RATED.
 CHICKLET- BLACK LCP, UL 94V-0 RATED.
 LIGHT PIPE- POLYCARBONATE, CLEAR.
 INSERT - LCP, BLACK, UL 94V-0.
 CONTACT- COPPER ALLOY.
- 2 DATUM AND BASIC DIMENSIONS ESTABLISHED BY CUSTOMER.
- 3. MINIMUM PCB THICKNESS OF 1.5.
- 4 CONTACT MATING AREA: SURFACE TREATMENT OVER 0.76µm MIN GOLD OVER 1.27µm MIN NICKEL. CONFORMS TO THE REQUIREMENTS OF PRODUCT SPECIFICATION 108-2331, BASED ON EIA/ECA-364-1000.01A (CONTROLLED ENVIRONMENT APPLICATIONS).
 NEEDLE EYE: 1.25 µm MIN TIN OVER 1.27 µm MIN NICKEL.
 REMAINDER OF CONTACT: 0.76µm MIN NICKEL.
- 5 FOR HOLE SIZE AND PLATINGS, SEE APPLICATION SPEC 114-13219.
- 6 THE ENTIRE AREA OF THE CONNECTOR FOOTPRINT, INDICATED BY THE DASHED LINE, TO BE CONSIDERED THE KEEPOUT AREA FOR COMPONENTS AND SIGNAL TRACES, TOP SIDE ONLY. TOP SIDE TRACES ALLOWED WITHIN CONNECTOR HOLE PATTERN.
- 7 LIGHT PIPE PAD LAYOUT IS FOR 0805 LOW PROFILE LED PACKAGE WITH A HEIGHT OF 0.8mm.

2180640-1
PART NUMBER

THIS DRAWING IS A CONTROLLED DOCUMENT.		OWN ID: MATTHEWS 20CT2011	
DIMENSIONS: mm		CHK M SCHMITZ 120612011	
TOLERANCES UNLESS OTHERWISE SPECIFIED:		APVD M SCHMITZ 120CT2011	
0 PLC ±0.10 1 PLC ±0.10 2 PLC ±0.10 3 PLC ±0.10 4 PLC ±0.10 ANGLES ±°		PRODUCT SPEC 108-2331 APPLICATION SPEC 114-13219 WEIGHT - SIZE CAGE CODE DRAWING NO. A100779C=2180640 CUSTOMER DRAWING	
MATERIAL FINISH		RESTRICTED TO	CAGE AND P1 CONNECTOR ASSEMBLY WITH EMI GASKET, PRESS FIT, 2X6, STACKED SFP+ SCALE 4:1 SHEET 1 OF 3 REV A

LOC		DIST		REVISIONS			
P.	LTN.	DESCRIPTION	DATE	DMN	APVD		
-	-	SEE SHEET 1	-	-	-		

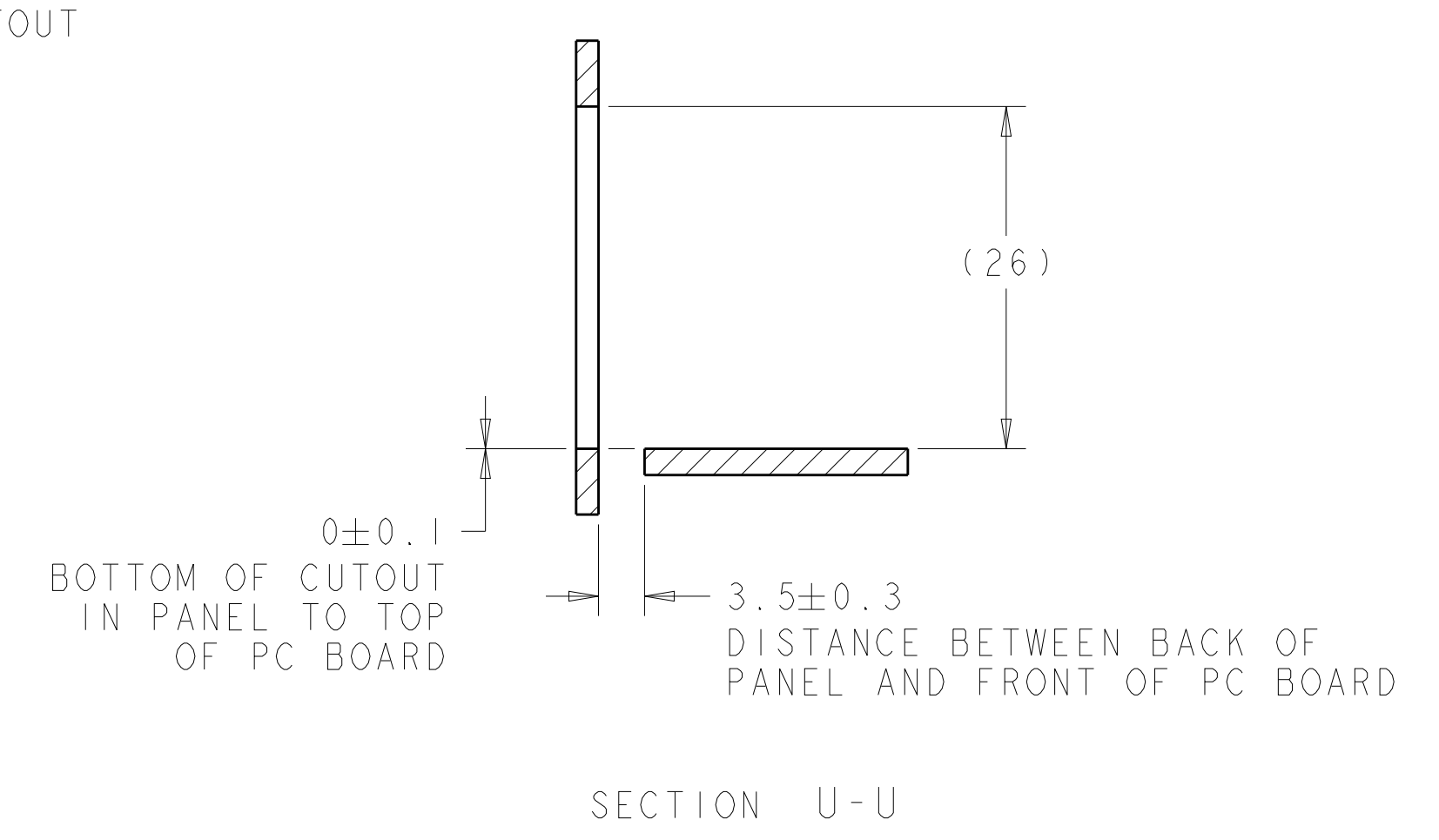
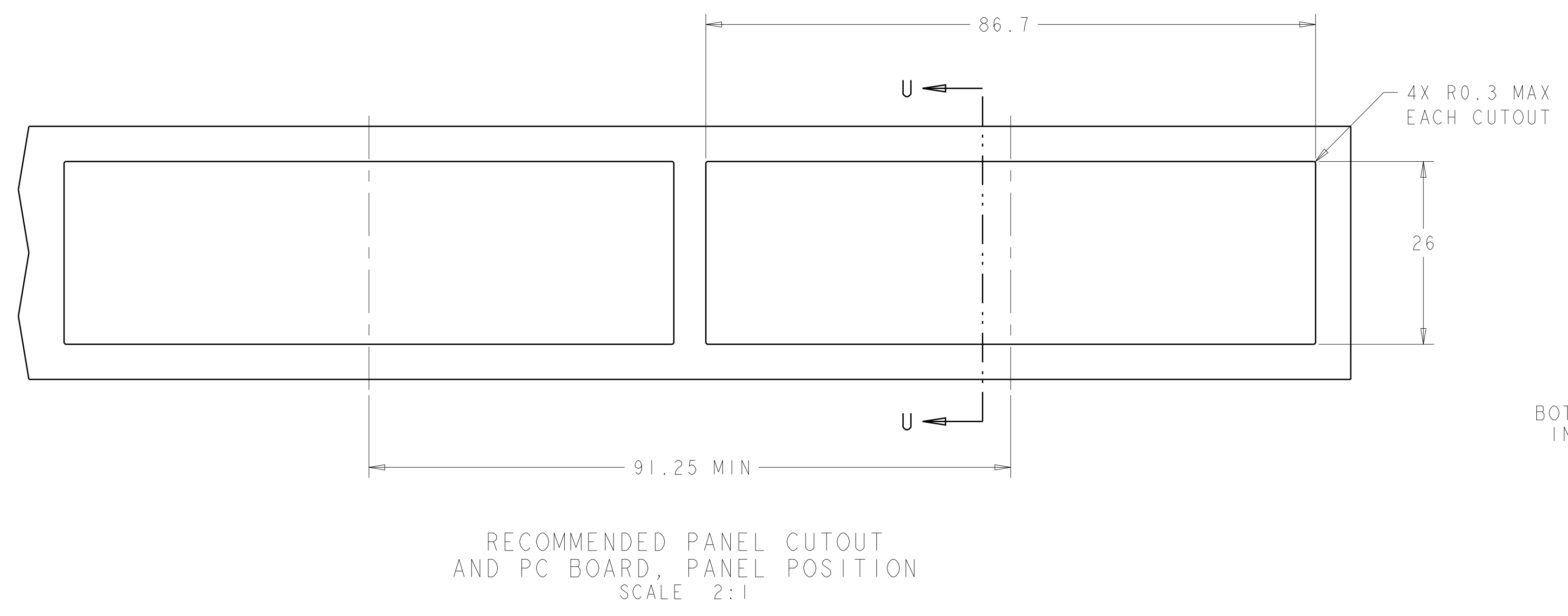
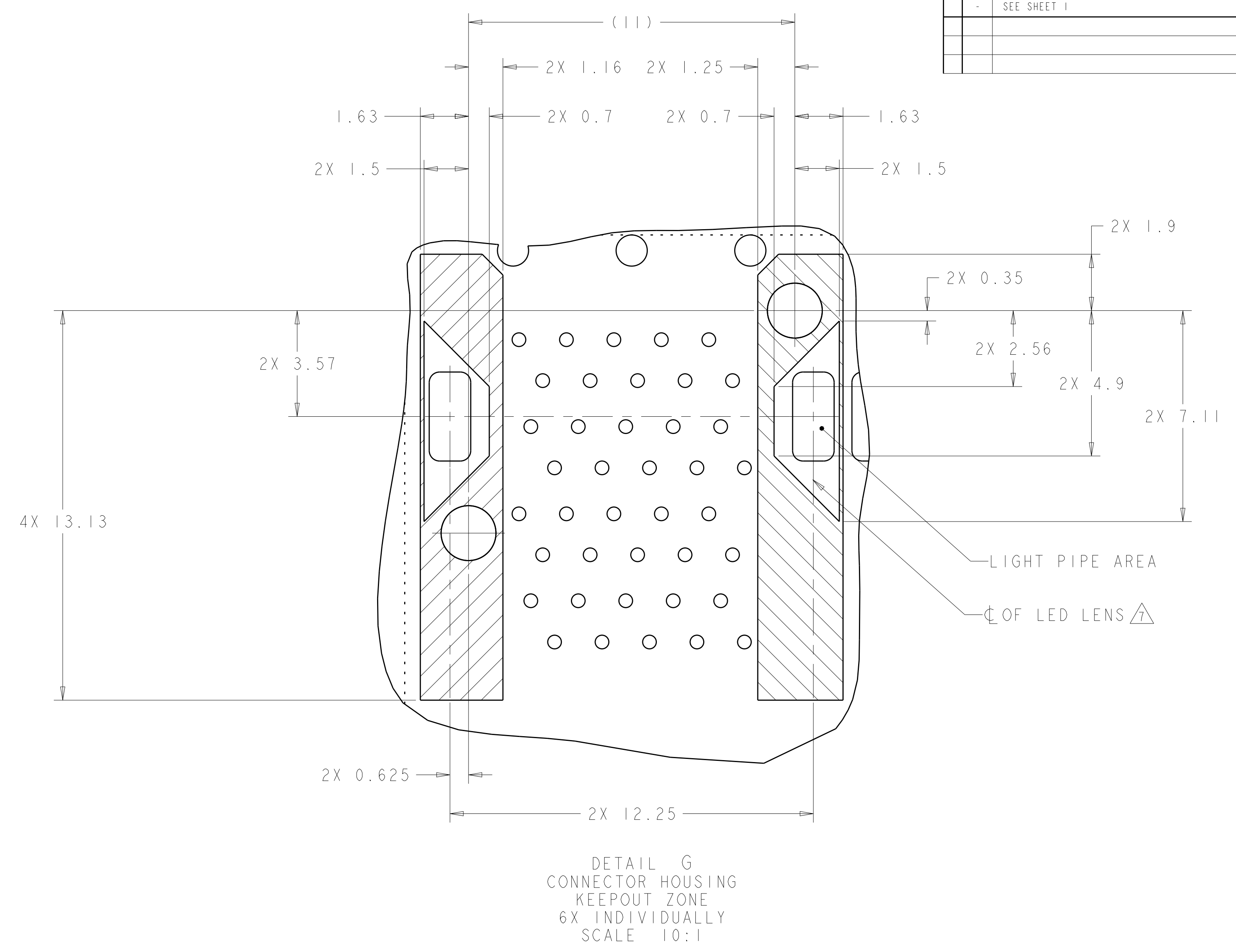
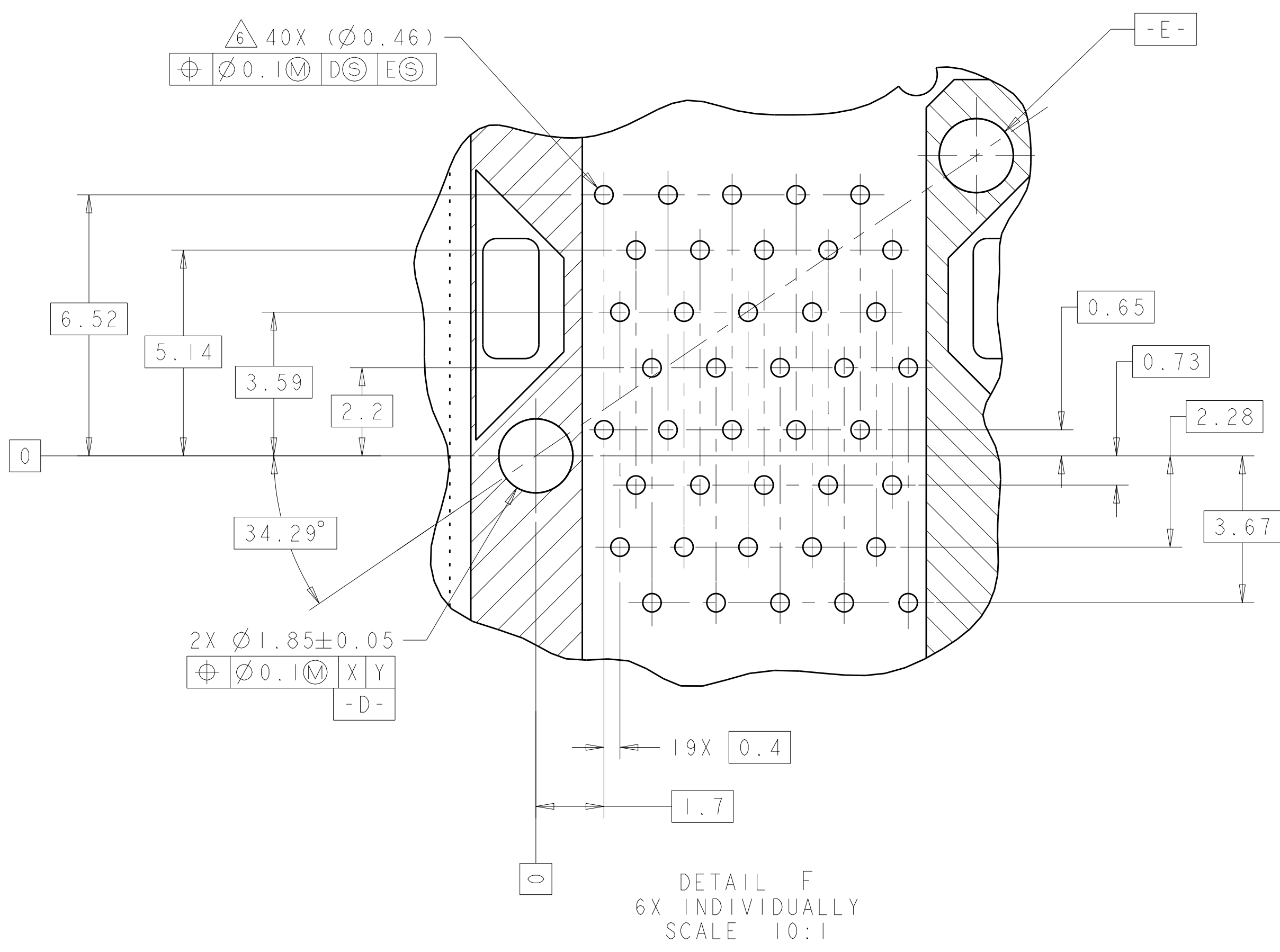


DETAIL H
 CONNECTOR PIN-OUT
 COMPONENT SIDE OF BOARD
 6X INDIVIDUALLY
 SCALE 10:1

RECOMMENDED PCB LAYOUT
 COMPONENT SIDE OF BOARD
 SCALE 5:1

THIS DRAWING IS A CONTROLLED DOCUMENT.		DMN: B. MATTHEWS (20CT2011)	TE Connectivity
DIMENSIONS: mm		CHK: M. SCHMITT (20CT2011)	
TOLERANCES UNLESS OTHERWISE SPECIFIED:		APVD: M. SCHMITT (20CT2011)	NAME: CAGE AND PT CONNECTOR ASSEMBLY, WITH EMI GASKET, PRESS FIT, 2X6, STACKED SFP+
0 PLC ±0.10	1 PLC ±0.10	PRODUCT SPEC: 108-2331	SIZE: A100779C=2180640
2 PLC ±0.10	3 PLC ±0.10	APPLICATION SPEC: 114-13219	RESTRICTED TO: -
4 PLC ±0.10	ANGLES ±°	WEIGHT: -	SCALE: 4:1 SHEET 2 OF 3 REV A
MATERIAL: -	FINISH: -	CUSTOMER DRAWING	

LOC	DIST	REVISIONS			
P	LTN	DESCRIPTION	DATE	DMN	APVD
-	-	SEE SHEET 1	-	-	-



THIS DRAWING IS A CONTROLLED DOCUMENT.		DMN: B. MATTHEWS (20CT2011)	TE Connectivity
DIMENSIONS: mm		CHK: M. SCHMITT (20CT2011)	
TOLERANCES UNLESS OTHERWISE SPECIFIED:		APVD: M. SCHMITT (20CT2011)	NAME: CAGE AND PT CONNECTOR ASSEMBLY, WITH EMI GASKET, PRESS FIT, 2X6, STACKED SFP+
0 PLC ±0.10	1 PLC ±0.10	PRODUCT SPEC: 108-2331	SIZE: 114-13219
2 PLC ±0.10	3 PLC ±0.10	APPLICATION SPEC: 114-13219	RESTRICTED TO: A100779C=2180640
4 PLC ±0.10	ANGLES ±°	WEIGHT: -	SCALE: 4:1
MATERIAL: FINISH: -		CUSTOMER DRAWING	SHEET 3 OF 3 REV A